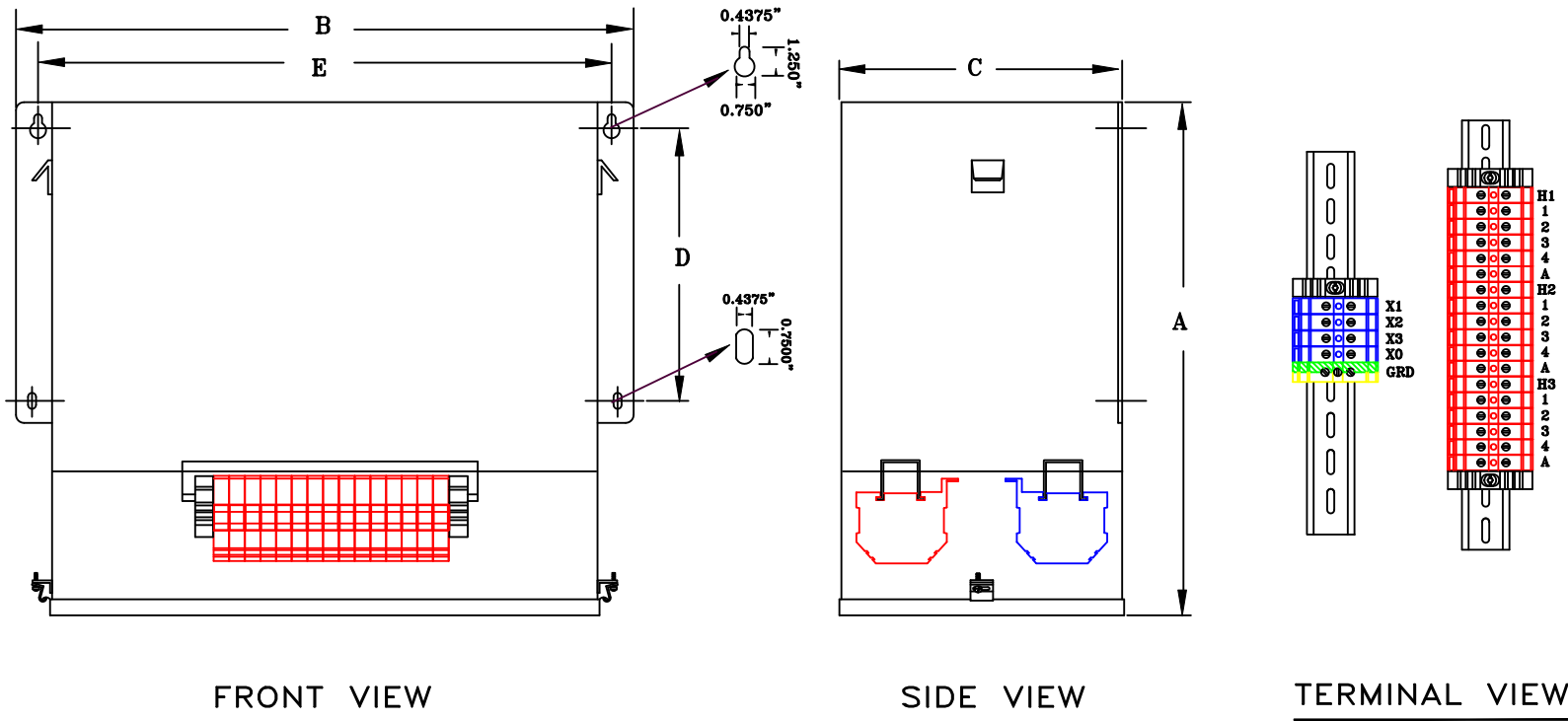


TYPICAL WIRING DIAGRAM

NOTES:

1. ALL UNITS ARE cUL LISTED & DESIGNED ACCORDANCE WITH INDUSTRY STANDARDS.
2. TRANSFORMERS ARE DRY-TYPE, CLASS AA, ENCAPSULATED NEMA 1 ENCLOSED FOR INDOOR USE.
3. TRANSFORMERS ARE WALL / MACHINE MOUNTABLE VIA THE ATTACHED BRACKETS.
4. TRANSFORMERS ARE CONSTRUCTED BASED UPON A 40°C AMBIENT ENVIRONMENT.
5. MAINTAIN 1" CLEARANCE FROM ALL LIVE PARTS.
6. PAINT COLOR IS RAL# 7042.



FRONT VIEW

SIDE VIEW

TERMINAL VIEW

APPROXIMATE DIMENSIONS (INCHES)

| KVA | A | B | C | D | E | F | HARDWARE | MTG SLOTS | ENCLOSURE | lbs. | WEATHER SHIELD | TERMINAL TYPE |
|------|-------|-------|-------|------|-------|------|----------|-----------------|-----------|------|----------------|---------------|
| 15.0 | 16.25 | 19.12 | 10.50 | 8.50 | 17.75 | ---- | 3/8-16 | 0.437" x 0.750" | 3N15 | 300 | N/A | TBs |

* ELECTROSTATIC SHIELD GROUNDED TO TRANSFORMER CASE AT FACTORY (IF APPLICABLE)

DRAWINGS
 APPROVAL
 RECORD
 OTHER

| | | | | | | | | | | | | |
|------------------------|--|-----------|----------------------|--|--|--|--|--|--|--|--|--|
| PRIMARY VOLTAGE | 208-240 DELTA | CUST. | XXXXXXXXXX | | | | | | | | | |
| SECONDARY VOLTAGE | 400Y/231 | JOB | | | | | | | | | | |
| TEMPERATURE RISE IN °C | 115 | CATALOG | | | | | | | | | | |
| WINDINGS & TERMINALS | <input type="checkbox"/> ALUMINUM <input checked="" type="checkbox"/> COPPER | NOTE | XXXXXXXXXX | | | | | | | | | |
| FREQUENCY HERTZ | 60 | BY | ENG. LOG. | TITLE 3-PHASE, 600 VOLT CLASS ISOLATION DRY TYPE TRANSFORMER | | | | | | | | |
| PRIMARY TAPS | 220, 252 | DATE | | | | | | | | | | |
| POWERTRAN | REV | MFG. LOG. | DWG. NO. 3EF625FST15 | | | | | | | | | |
| | DATE: | DWG. FILE | | | | | | | | | | |