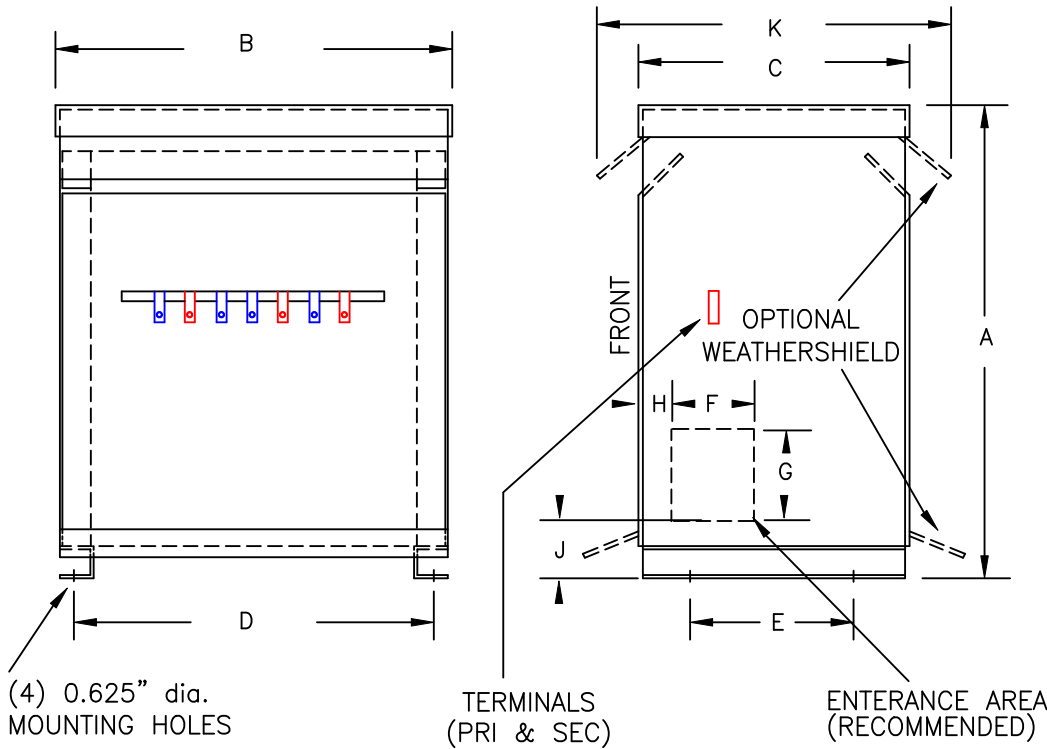


TYPICAL WIRING DIAGRAM

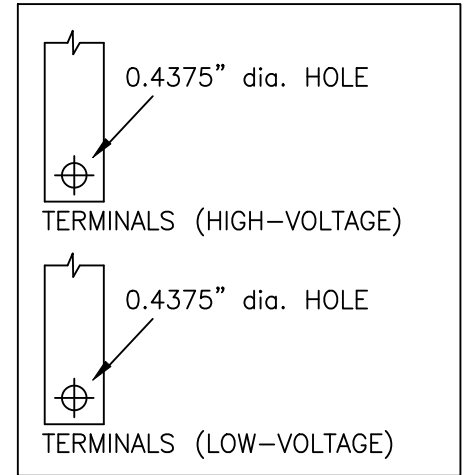
NOTES:

1. ALL UNITS ARE cUL LISTED AND DESIGNED ACCORDANCE WITH INDUSTRY STANDARDS.
2. TRANSFORMERS ARE DRY-TYPE, CLASS AA, VENTILATED NEMA 2 ENCLOSED FOR INDOOR USE.
3. TRANSFORMERS ARE FLOOR MOUNTED.
4. AVAILABLE ACCESSORIES FOR THIS UNIT:
A) OUTDOOR WEATHERSHIELD KIT
B) WALL MOUNTING BRACKETS
5. TRANSFORMERS ARE CONSTRUCTED BASED UPON A 40°C AMBIENT ENVIRONMENT.
6. MAINTAIN 1" CLEARANCE FROM ALL LIVE PARTS.
7. PAINT COLOR IS ANSI #61.



FRONT VIEW

SIDE VIEW



TERMINAL DETAILS

APPROXIMATE DIMENSIONS (INCHES)

| KVA | A | B | C | D | E | F | G | H | J | K | L | BOX | lbs. | WEATHER SHIELD | TERMINAL TYPE |
|-----------|-------|-------|-------|-------|-------|------|------|------|------|-------|------|---------|------|----------------|---------------|
| SEE BELOW | 29.00 | 17.12 | 19.38 | 15.50 | 16.50 | 4.00 | 4.00 | 1.00 | 5.75 | 23.50 | ---- | 3PT-15K | 165 | WS-2 | BUSBAR |

DRAWINGS
 APPROVAL
 RECORD
 OTHER

| | | | | | | | | | | | | | | | |
|------------------------|--|---------------------------------|----------------|------------|---|--|--|--|--|--|--|--|--|--|--|
| | 45.0 KVA | 36.0 KVA | | | | | | | | | | | | | |
| INPUT VOLTAGE | 575Y/332 | 480Y/277 | CUST. XXXXXXXX | | | | | | | | | | | | |
| OUTPUT VOLTAGE | 480Y/277 | 400Y/231 | JOB | | | | | | | | | | | | |
| TEMPERATURE RISE IN °C | 150 | | CATALOG | | | | | | | | | | | | |
| WINDINGS & TERMINALS | <input checked="" type="checkbox"/> ALUMINUM | <input type="checkbox"/> COPPER | NOTE XXXXXXXX | | | | | | | | | | | | |
| FREQUENCY IN HERTZ | 60 | | BY | ENG. LOG. | TITLE 3-PHASE, 600 VOLT CLASS AUTO DRY TYPE TRANSFORMER | | | | | | | | | | |
| INPUT TAPS | 546, 560, 589, 604 | | DATE | | | | | | | | | | | | |
| | REV | | MFG. LOG. | DWG. NO. | | | | | | | | | | | |
| | DATE: | | DWG. FILE | 3PT485PA45 | | | | | | | | | | | |