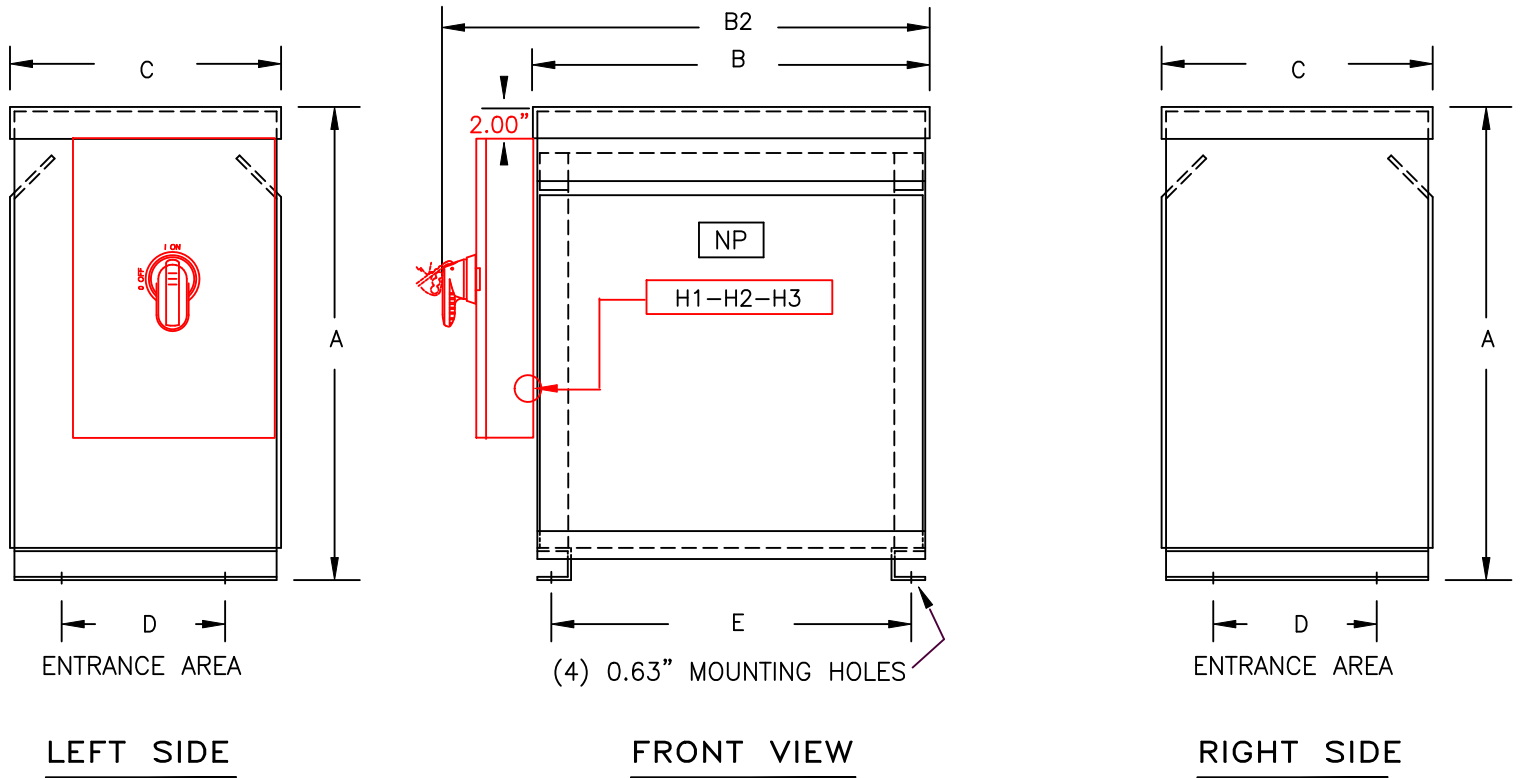


TYPICAL WIRING DIAGRAM

**NOTES:**

1. ALL UNITS ARE cUL LISTED & DESIGNED ACCORDANCE WITH INDUSTRY STANDARDS.
2. TRANSFORMERS ARE DRY-TYPE, CLASS AA, VENTILATED NEMA 2 ENCLOSED FOR INDOOR USE.
3. TRANSFORMERS ARE FLOOR MOUNTED.
4. AVAILABLE ACCESSORIES FOR THIS UNIT:  
A) OUTDOOR WEATHERSHIELD KIT  
B) WALL MOUNTING BRACKETS
5. TRANSFORMERS ARE CONSTRUCTED BASED UPON A 40°C AMBIENT ENVIRONMENT.
6. MAINTAIN 1" CLEARANCE FROM ALL LIVE PARTS.
7. PAINT COLOR IS ANSI #61.



**APPROXIMATE DIMENSIONS ( INCHES )**

KVA	A	B2	B	C	D	E	F	G	H	J	ENCLOSURE	WEIGHT	WEATHER SHEILD	TERMINAL TYPE
225.0	72.75	65.38	53.38	36.88	49.63	32.00	----	----	----	----	3PT-300K	2800	WS-18	BUSBAR

PRIM:

\* ELECTROSTATIC SHIELD GROUNDED TO TRANSFORMER CASE AT FACTORY ( IF APPLICABLE )

DRAWINGS  
 APPROVAL  
 RECORD  
 OTHER

PRIMARY VOLTAGE	480 DELTA	CUST.	XXXXXXXX
SECONDARY VOLTAGE	400Y/231	PRIM:	(3) A500 LUGS & (1) 3-POLE, 600V, 400A, ADJUSTABLE CB (T5N400BW)
TEMPERATURE RISE IN °C	150	BOTH:	(1) #2 AWG WIRE per PHASE on PRIMARY & SECONDARY
WINDINGS & TERMINALS	<input checked="" type="checkbox"/> ALUMINUM <input type="checkbox"/> COPPER	SEC:	(4) A500 LUGS
FREQUENCY IN HERTZ	60	BY	ENG. LOG.
PRIMARY TAPS	432, 444, 456, 468, 492, 504	DATE	TITLE
		REV	MFG. LOG.
		DATE:	DWG. FILE
		DWG. NO.	
		3PTN657-225K-E2-WPCB	