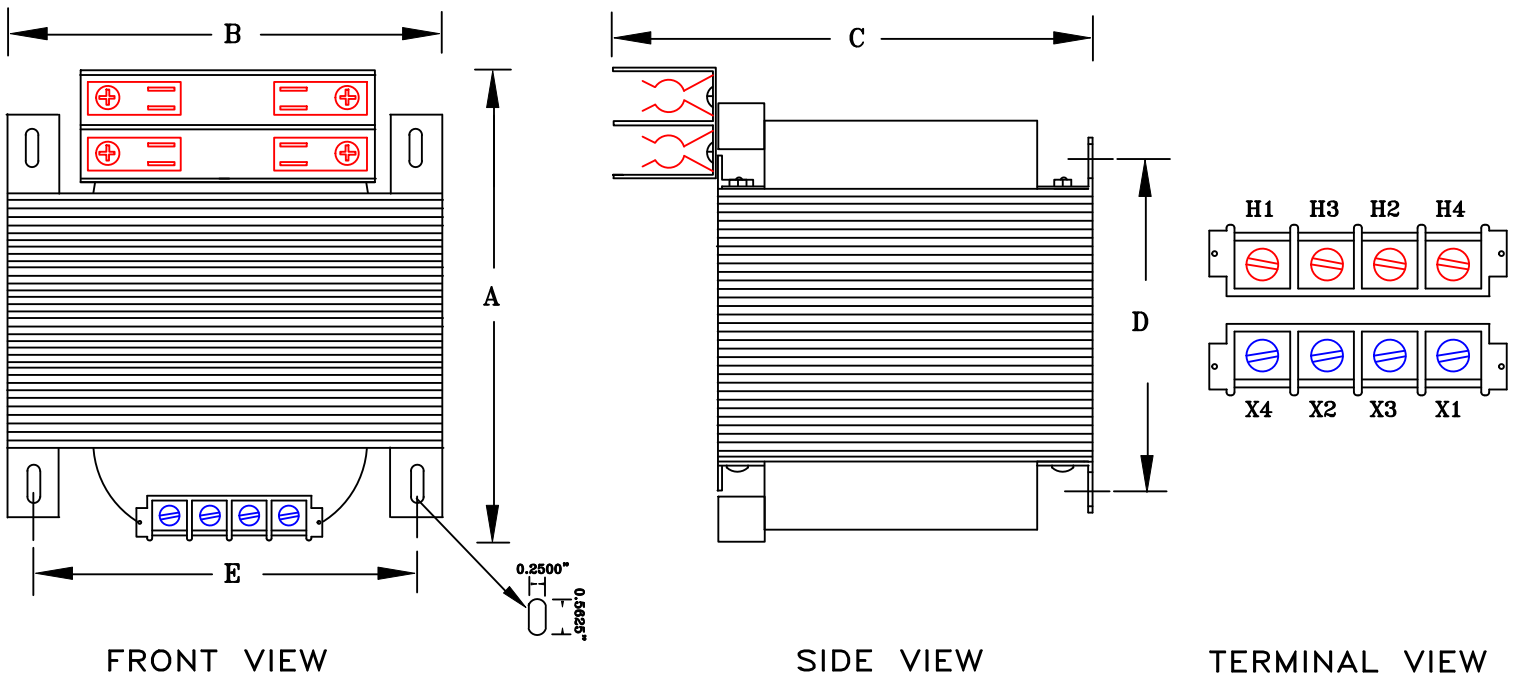


TYPICAL WIRING DIAGRAM

NOTES:

1. ALL UNITS ARE cUL LISTED & DESIGNED ACCORDANCE WITH INDUSTRY STANDARDS.
2. TRANSFORMERS ARE DRY-TYPE, CLASS AA, VENTILATED, OPEN-STYLE ASSEMBLY FOR INDOOR/CONTROL PANEL USE.
3. TRANSFORMER ARE BASE MOUNTED.
4. TRANSFORMERS ARE CONSTRUCTED BASED UPON A 40°C AMBIENT ENVIRONMENT.
5. MAINTAIN 1" CLEARANCE FROM ALL LIVE PARTS.



FRONT VIEW

SIDE VIEW

TERMINAL VIEW

APPROXIMATE DIMENSIONS (INCHES)

| KVA | A | B | C | D | E | 2-POLE PRIMARY FUSE BLOCK | PRIMARY COVER | SECONDARY COVER | HARDWARE | (4) MTG SLOTS | STEEL | STACK | WEIGHT |
|-----|------|------|------|------|------|---------------------------|---------------|-----------------|----------|-----------------|--------|-------|--------|
| 3.0 | 6.75 | 7.50 | 9.50 | 6.50 | 5.32 | INCLUDED | INCLUDED | INCLUDED | 1/4-20 | 0.250" x 0.562" | EI-250 | 5.25 | 50 |

DRAWINGS
 APPROVAL
 RECORD
 OTHER

| | | | | |
|------------------------|--|-----------|----------------|--|
| PRIMARY VOLTAGE | 240 x 480 | CUST. | XXXXXXXX | |
| SECONDARY VOLTAGE | 120 x 240 | JOB | | |
| TEMPERATURE RISE IN °C | 80 | CATALOG | | |
| WINDINGS & TERMINALS | <input type="checkbox"/> ALUMINUM <input checked="" type="checkbox"/> COPPER | NOTE | XXXXXXXX | |
| FREQUENCY HERTZ | 50/60 | BY | ENG. LOG. | TITLE |
| PRIMARY TAPS | NONE | DATE | | 1-PHASE, 600 VOLT CLASS CONTROL DRY TYPE TRANSFORMER |
| POWERTRAN | REV | MFG. LOG. | DWG. NO. | |
| | DATE: | DWG. FILE | A134MT3000-2FB | |