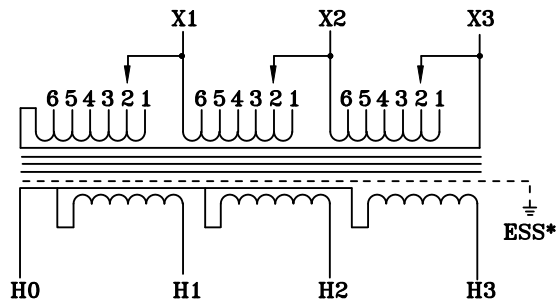
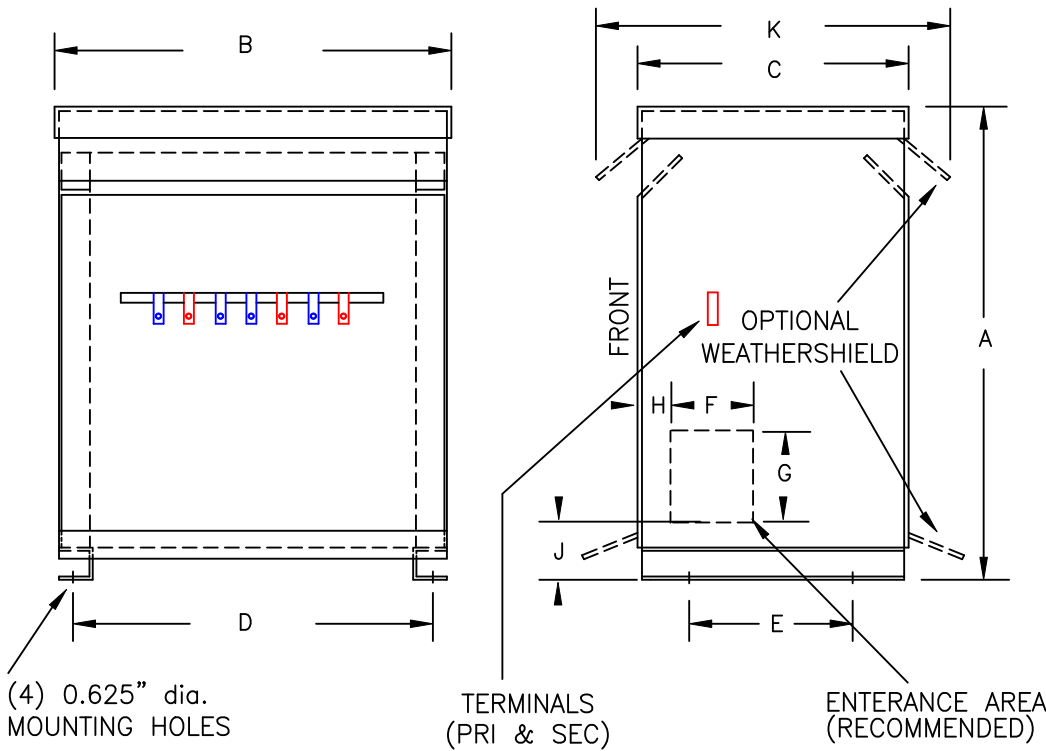


NOTES:

1. ALL UNITS ARE cUL LISTED AND DESIGNED ACCORDANCE WITH INDUSTRY STANDARDS.
2. TRANSFORMERS ARE DRY-TYPE, CLASS AA, VENTILATED NEMA 2 ENCLOSED FOR INDOOR USE.
3. TRANSFORMERS ARE FLOOR MOUNTED.
4. AVAILABLE ACCESSORIES FOR THIS UNIT:
A) OUTDOOR WEATHERSHIELD KIT
B) WALL MOUNTING BRACKETS
5. TRANSFORMERS ARE CONSTRUCTED BASED UPON A 40°C AMBIENT ENVIRONMENT.
6. MAINTAIN 1" CLEARANCE FROM ALL LIVE PARTS.
7. PAINT COLOR IS ANSI #61.

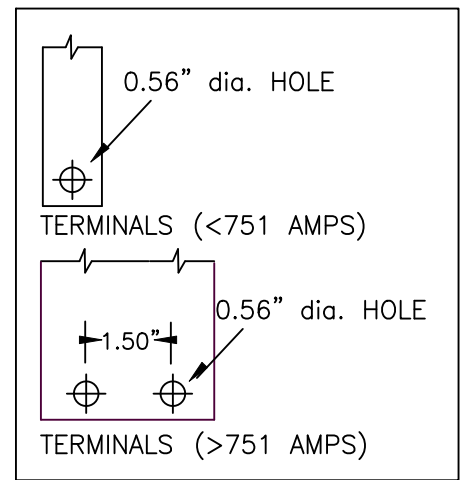


TYPICAL WIRING DIAGRAM



FRONT VIEW

SIDE VIEW



TERMINAL DETAILS

APPROXIMATE DIMENSIONS (INCHES)

| KVA | A | B | C | D | E | F | G | H | J | K | ENCLOSURE | lbs. | WEATHER SHIELD | TERMINAL TYPE |
|-------|-------|-------|-------|-------|-------|-------|-------|-------|-------|-------|-----------|------|----------------|---------------|
| 300.0 | 63.00 | 46.50 | 30.88 | 43.25 | 25.00 | ----- | ----- | ----- | ----- | 36.38 | 3PT-300K | 2000 | WS-14 | BUSBAR |

* ELECTROSTATIC SHIELD GROUNDED TO TRANSFORMER CASE AT FACTORY (IF APPLICABLE)

DRAWINGS
 APPROVAL
 RECORD
 OTHER

| | | | | | |
|------------------------|--|---------|------------|---|--|
| PRIMARY VOLTAGE | 480-600 DELTA | CUST. | XXXXXXXXXX | | |
| SECONDARY VOLTAGE | 400Y/231 | JOB | | | |
| TEMPERATURE RISE IN °C | 150 | CATALOG | | | |
| WINDINGS & TERMINALS | <input checked="" type="checkbox"/> ALUMINUM <input type="checkbox"/> COPPER | NOTE | XXXXXXX | | |
| FREQUENCY IN HERTZ | 60 | BY | ENG. LOG. | TITLE 3-PHASE, 600 VOLT CLASS ISOLATION DRY TYPE TRANSFORMER | |
| PRIMARY TAPS | 456, 504, 575, 625 | DATE | | | |
| | | REV | MFG. LOG. | DWG. NO. 3PTN767-300K-480 | |
| | | DATE: | DWG. FILE | | |

