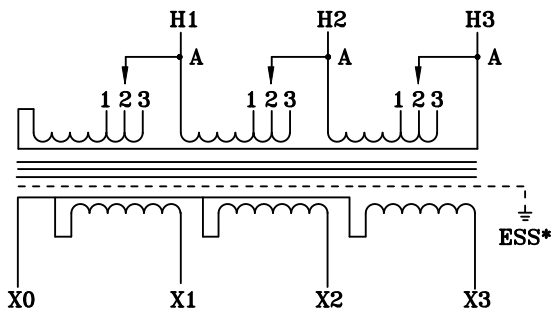
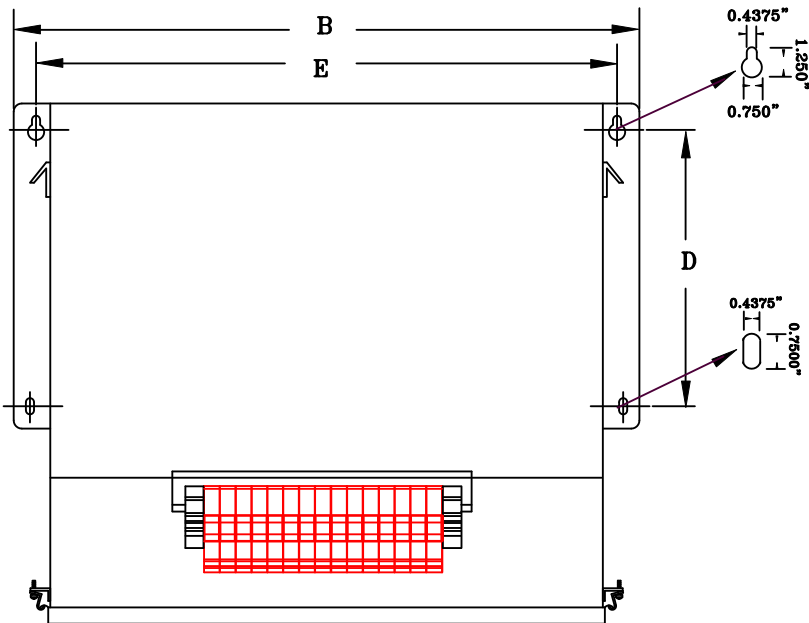


**NOTES:**

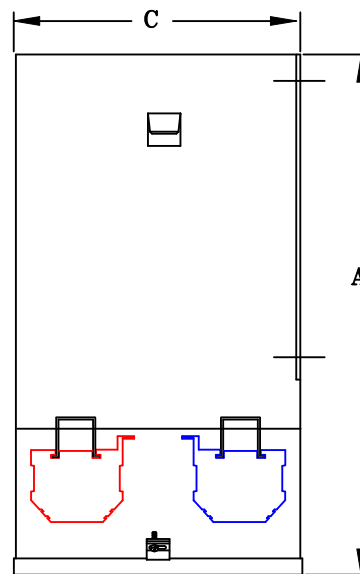
1. ALL UNITS ARE cUL LISTED & DESIGNED ACCORDANCE WITH INDUSTRY STANDARDS.
2. TRANSFORMERS ARE DRY-TYPE, CLASS AA, ENCAPSULATED NEMA 1 ENCLOSED FOR INDOOR USE.
3. TRANSFORMERS ARE WALL / MACHINE MOUNTABLE VIA THE ATTACHED BRACKETS.
4. TRANSFORMERS ARE CONSTRUCTED BASED UPON A 40°C AMBIENT ENVIRONMENT.
5. MAINTAIN 1" CLEARANCE FROM ALL LIVE PARTS.
6. PAINT COLOR IS RAL# 7042.



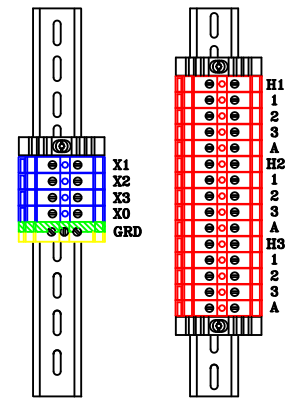
TYPICAL WIRING DIAGRAM



FRONT VIEW



SIDE VIEW



TERMINAL VIEW

APPROXIMATE DIMENSIONS ( INCHES )

| KVA  | A     | B     | C     | D    | E     | F    | HARDWARE | MTG SLOTS       | ENCLOSURE | lbs. | WEATHER SHIELD | TERMINAL TYPE |
|------|-------|-------|-------|------|-------|------|----------|-----------------|-----------|------|----------------|---------------|
| 15.0 | 16.25 | 19.12 | 10.50 | 8.50 | 17.75 | ---- | 3/8-16   | 0.437" x 0.750" | 3N15      | 300  | N/A            | TBs           |

\* ELECTROSTATIC SHIELD GROUNDED TO TRANSFORMER CASE AT FACTORY ( IF APPLICABLE )

DRAWINGS  
 APPROVAL  
 RECORD  
 OTHER

|                        |  |            |                      |  |
|------------------------|--|------------|----------------------|--|
| PRIMARY VOLTAGE        | 480 DELTA  | CUST.      | XXXXXXXX             |  |
| SECONDARY VOLTAGE      | 480Y/277   | JOB        |                      |  |
| TEMPERATURE RISE IN °C | 115  | PRIMARY:   |                      |  |
| WINDINGS & TERMINALS   | <input type="checkbox"/> ALUMINUM <input checked="" type="checkbox"/> COPPER | SECONDARY: |                      |  |
| FREQUENCY IN HERTZ     | 60   | BY         | ENG. LOG.            | TITLE 3-PHASE, 600 VOLT CLASS ISOLATION DRY TYPE TRANSFORMER |
| PRIMARY TAPS           | 456, 504   | DATE       |                      |  |
| POWERTRAN              | REV  | MFG. LOG.  | DWG. NO. 3EF454FST15 |  |
|                        | DATE:  | DWG. FILE  |                      |  |