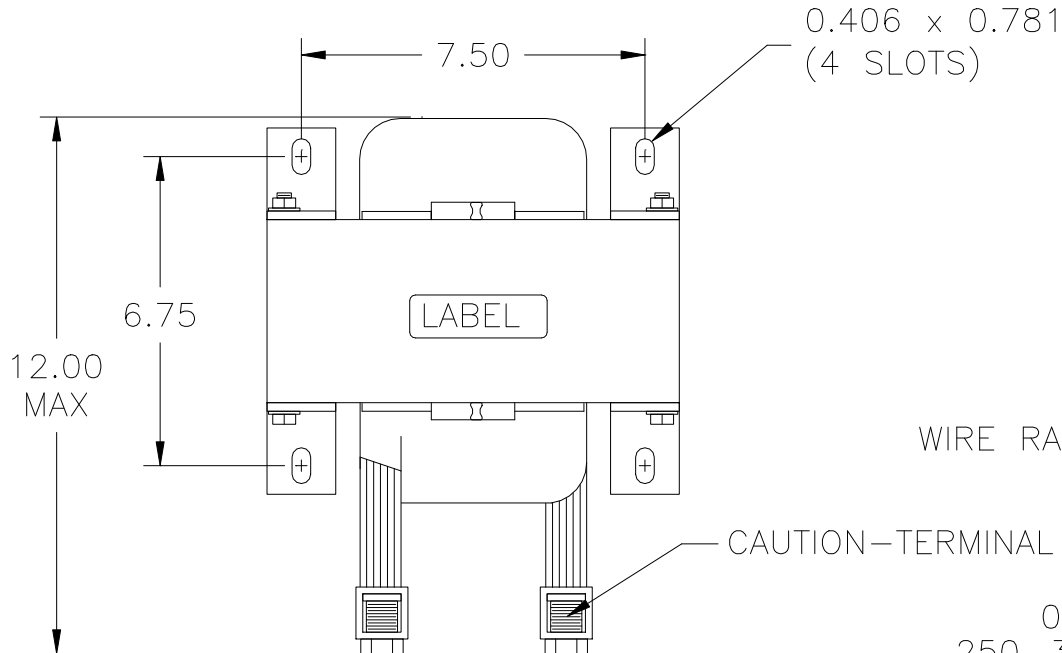


INDUCTANCE	LOSSES	WEIGHT
0.25 mH	102 Watts	67 Lbs

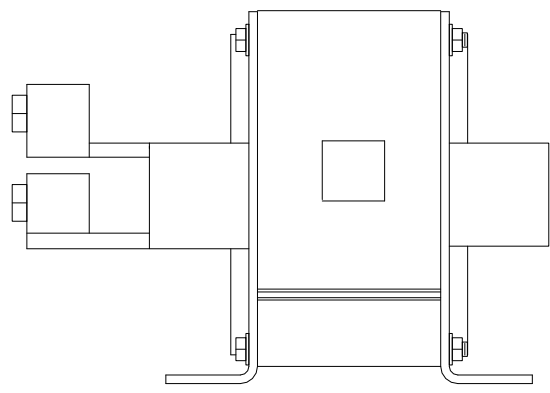
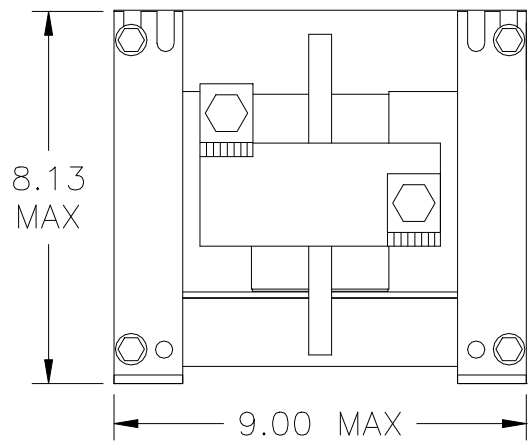
NO.	CHANGE DESCRIPTION	BY	DATE	C'K'D
06	REVISED PER ECR 7175, ADDED CD	RS	8/23/10	

FILE:



CAUTION-TERMINAL SCREW TIGHTENING TORQUE:

00 = 180 in-lb MAX.
000-0000 = 250 in-lb MAX.
250-350 mcm = 325 in-lb MAX.
500 mcm = 375 in-lb MAX.



UNLESS OTHERWISE SPECIFIED, DIMENSIONS ARE IN INCHES [mm] AND TOLERANCES ARE:

DECI. FRAC.

ANGLES DRILLED HOLES

PART NAME:	DC LINK CHOKE
DESCRIPTION:	OUTLINE DIMENSION
FINISH:	

MTE CORPORATION MENOMONEE FALLS, WISCONSIN			
CD 240RB002			REV. 06
SCALE	NTS	DATE 08/09/96	C'K'D
REF.	DR. BY	BET	APP'D