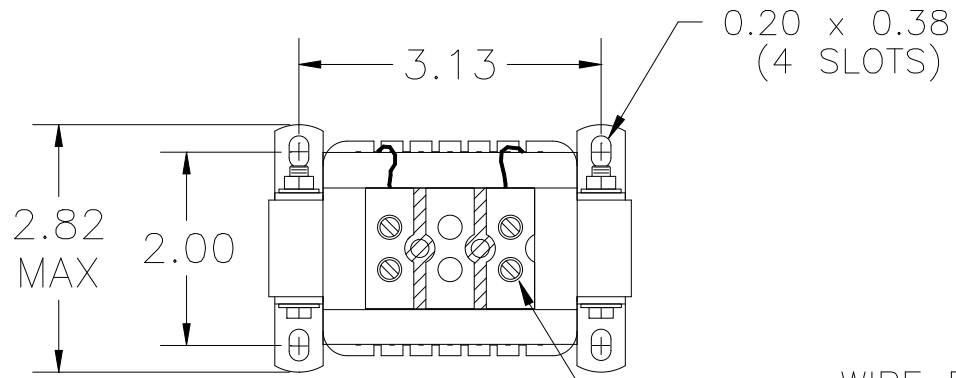


FILE: J:\CUSTDWG\DC\CA001203

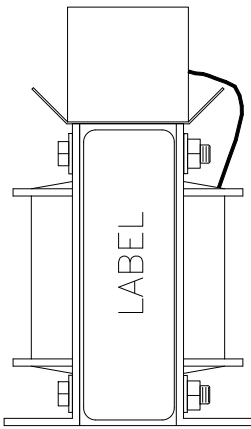
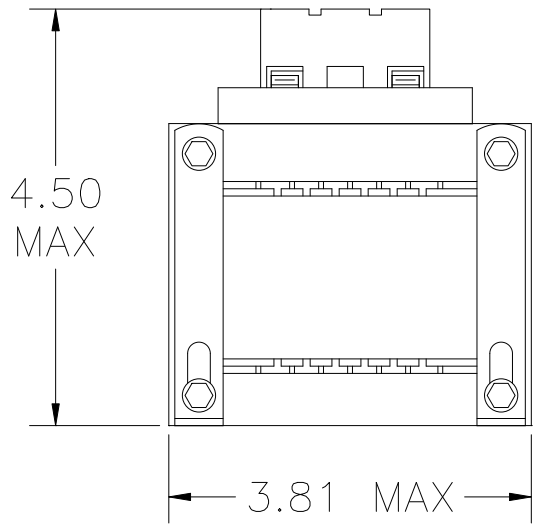
| | | |
|------------|----------|--------|
| INDUCTANCE | LOSSES | WEIGHT |
| 4 mH | 11 Watts | 4 Lbs |

| | | | | |
|-----|--------------------|----|------|-------|
| NO. | CHANGE DESCRIPTION | BY | DATE | C'K'D |
|-----|--------------------|----|------|-------|



WIRE RANGE: 18-4 AWG

CAUTION-TERMINAL SCREW TIGHTENING TORQUE: 20 in-lb MAX.



UNLESS OTHERWISE SPECIFIED, DIMENSIONS ARE IN INCHES [mm] AND TOLERANCES ARE:

DECI. FRAC.
 ANGLES DRILLED HOLES

| | |
|--------------|-------------------|
| PART NAME: | DC CHOKE |
| DESCRIPTION: | OUTLINE DIMENSION |
| FINISH: | |

| | | | |
|-----------------------------------------------|------------|---------------|------------|
| MTE CORPORATION MENOMONEE FALLS, WISCONSIN | | | |
| DCA001203 | | | REV. 00 |
| SCALE | NTS | DATE 06/28/05 | C'K'D |
| REF. | DR. BY AGK | APP'D | |