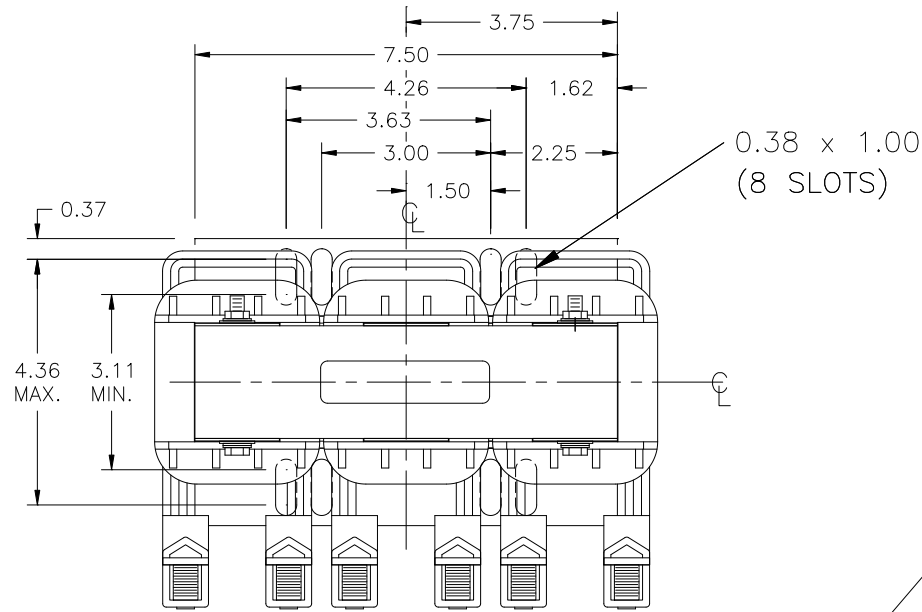


FILE: J:\ENG\PROD DOC\RL\RL-16001

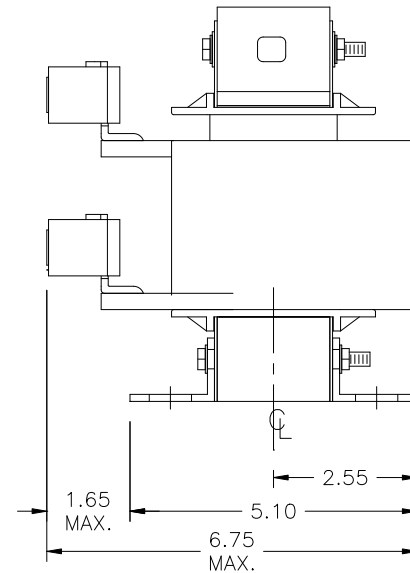
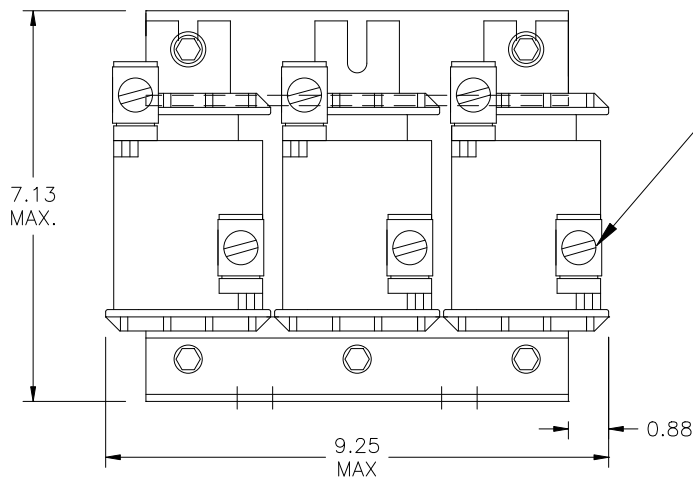
INDUCTANCE
0.075 mH

WEIGHT
41 LBS.

NO.	CHANGE DESCRIPTION	BY	DATE	C'K'D
-----	--------------------	----	------	-------



CAUTION: TERMINAL SCREW TIGHTENING TORQUE: 150 in-lb MAX.



NOTE:
CENTER LINE REPRESENTS
CENTER OF REACTOR CORE

UNLESS OTHERWISE SPECIFIED, DIMENSIONS ARE IN INCHES [mm] AND TOLERANCES ARE:

DECI. FRAC.

ANGLES DRILLED HOLES

PART NAME: 3-PHASE REACTOR

DESCRIPTION: OUTLINE DIMENSION

FINISH:

MTE CORPORATION
MENOMONEE FALLS, WISCONSIN

RL-16001

REV.
12

SCALE	NTS	DATE	09/28/05	C'K'D
REF.		DR. BY	KFL	APP'D