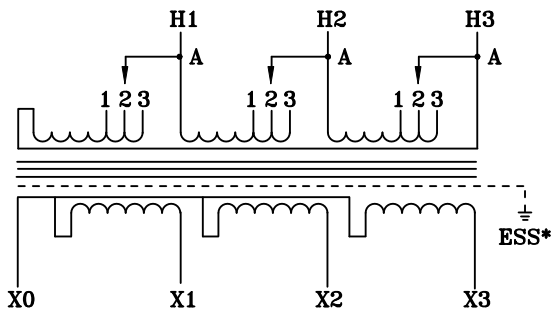
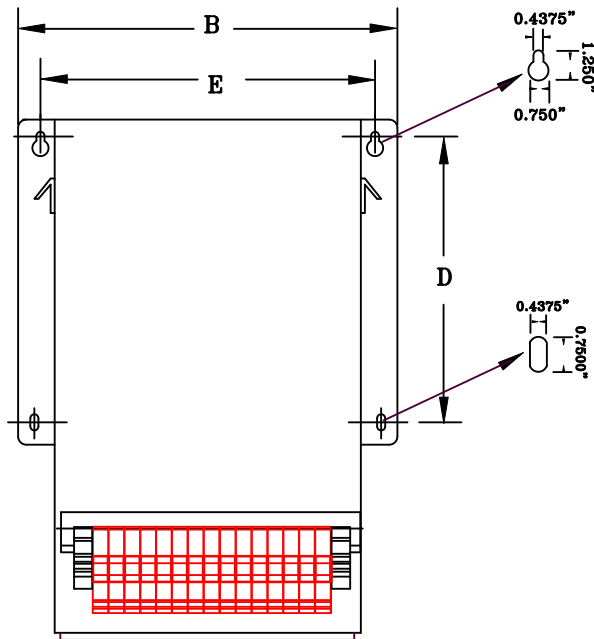


NOTES:

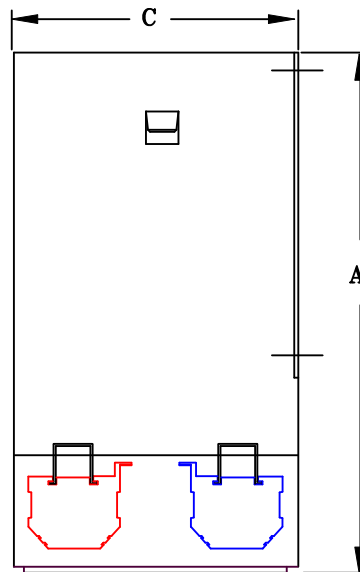
1. ALL UNITS ARE cUL LISTED & DESIGNED ACCORDANCE WITH INDUSTRY STANDARDS.
2. TRANSFORMERS ARE DRY-TYPE, CLASS AA, ENCAPSULATED NEMA 4 ENCLOSED FOR INDOOR / OUTDOOR USE.
3. TRANSFORMERS ARE WALL / MACHINE MOUNTABLE VIA THE ATTACHED BRACKETS.
4. TRANSFORMERS ARE CONSTRUCTED BASED UPON A 40°C AMBIENT ENVIRONMENT.
5. MAINTAIN 1" CLEARANCE FROM ALL LIVE PARTS.
6. PAINT COLOR IS RAL# 7042.



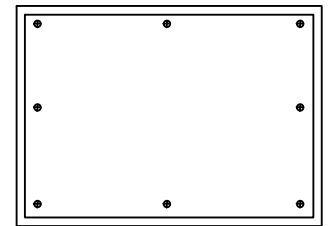
TYPICAL WIRING DIAGRAM



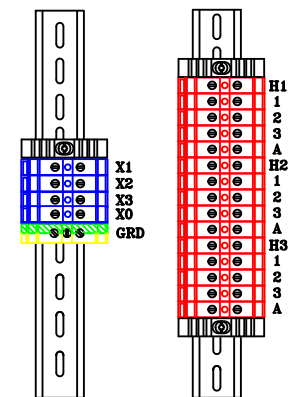
FRONT VIEW



SIDE VIEW



BOTTOM VIEW



TERMINAL VIEW

APPROXIMATE DIMENSIONS (INCHES)

| KVA | A | B | C | D | E | F | HARDWARE | MTG SLOTS | ENCLOSURE | lbs. | WEATHER SHIELD | TERMINAL TYPE |
|-----|-------|-------|-------|------|-------|------|----------|-----------------|-----------|------|----------------|---------------|
| 3.0 | 15.25 | 14.12 | 10.50 | 8.50 | 12.75 | ---- | 3/8-16 | 0.437" x 0.750" | N10-N4 | 125 | N/A | TBS |

* ELECTROSTATIC SHIELD GROUNDED TO TRANSFORMER CASE AT FACTORY (IF APPLICABLE)

DRAWINGS
 APPROVAL
 RECORD
 OTHER

| | | | |
|------------------------|--|-----------|---|
| INPUT VOLTAGE | 480 DELTA | CUST | XXXXXXXXXX |
| OUTPUT VOLTAGE | 208Y/120 | JOB | |
| TEMPERATURE RISE IN °C | 130 | CUST # | |
| WINDINGS & TERMINALS | <input type="checkbox"/> ALUMINUM <input checked="" type="checkbox"/> COPPER | NOTE | HAZARDOUS LOCATION (CLASS I, DIVISION II, GROUPS A-D) |
| FREQUENCY IN HERTZ | 60 | BY | 3-PHASE, 600 VOLT CLASS AUTO DRY TYPE TRANSFORMER |
| INPUT TAPS | 456, 504 | DATE | |
| POWERTRAN | REV | MFG. LOG. | DWG. NO. |
| | DATE: | DWG. FILE | 3N4F408FST3 |