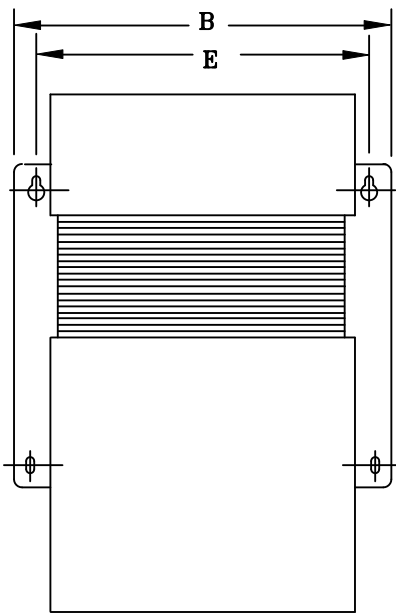


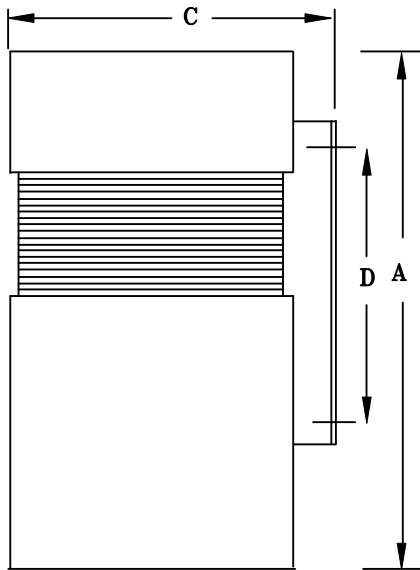
TYPICAL WIRING DIAGRAM

NOTES:

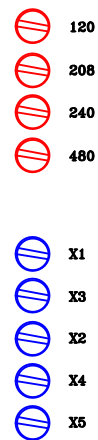
1. ALL UNITS ARE DESIGNED IN ACCORDANCE WITH INDUSTRY STANDARDS.
2. TRANSFORMERS ARE DRY-TYPE, CLASS AA, ENCAPSULATED NEMA 1 ENCLOSED FOR INDOOR USE.
3. TRANSFORMERS ARE WALL / MACHINE MOUNTABLE VIA THE ATTACHED BRACKETS.
4. TRANSFORMERS ARE CONSTRUCTED BASED UPON A 40°C AMBIENT ENVIRONMENT.
5. MAINTAIN 1" CLEARANCE FROM ALL LIVE PARTS.
6. PAINT COLOR IS ANSI #61.



FRONT VIEW



SIDE VIEW



TERMINAL VIEW

APPROXIMATE DIMENSIONS (INCHES)

| KVA | A | B | C | D | E | F | HARDWARE | MTG SLOTS | ENCLOSURE | lbs. | WEATHER SHIELD | TERMINAL TYPE |
|------|-------|-------|-------|------|-------|------|----------|-----------------|-----------|------|----------------|---------------|
| 7.5* | 28.25 | 17.00 | 14.00 | 7.56 | 15.75 | ---- | 3/8-16 | 0.437" x 0.875" | CLT-7.5K | 315 | N/A | SCREWS |

* ELECTROSTATIC SHIELD GROUNDED TO TRANSFORMER CASE AT FACTORY (IF APPLICABLE)

DRAWINGS
 APPROVAL
 RECORD
 OTHER

| | | | | | | | | | | | | |
|----------------------|--|---------|------------|--|--|--|--|--|--|--|--|--|
| INPUT VOLTAGE | 120-208-240-480 | CUST. | XXXXXXXXXX | | | | | | | | | |
| INPUT TOLERANCE | -20%, +10% | JOB | | | | | | | | | | |
| OUTPUT VOLTAGE | 120-208-240 | CATALOG | | | | | | | | | | |
| OUTPUT REGULATION | +/- 3% | NOTE | XXXXXXXXXX | | | | | | | | | |
| WINDINGS & TERMINALS | <input type="checkbox"/> ALUMINUM <input checked="" type="checkbox"/> COPPER | BY | ENG. LOG. | TITLE 1-PHASE, 600 VOLT CLASS CONSTANT VOLTAGE DRY TYPE TRANSFORMER | | | | | | | | |
| FREQUENCY IN HERTZ | 60 | DATE | | | | | | | | | | |
| | | REV | MFG. LOG. | DWG. NO. CLT-7500-RTW | | | | | | | | |
| | | DATE: | DWG. FILE | | | | | | | | | |