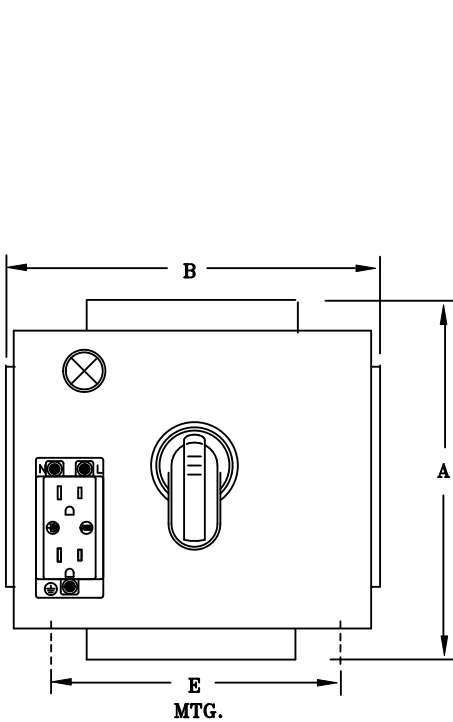


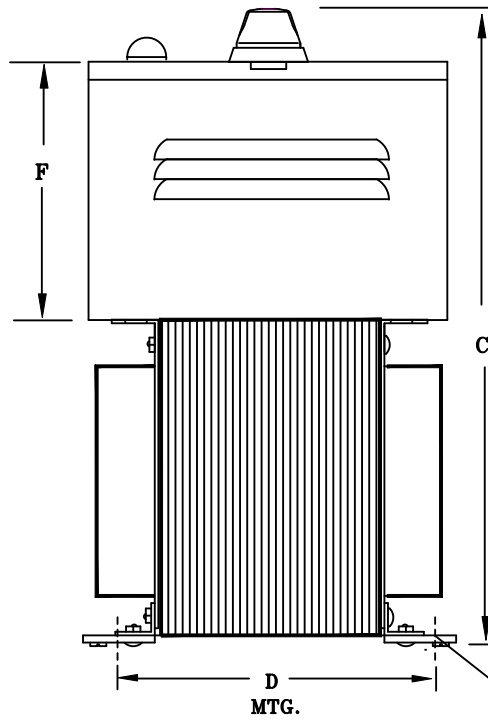
TYPICAL WIRING DIAGRAM

**NOTES:**

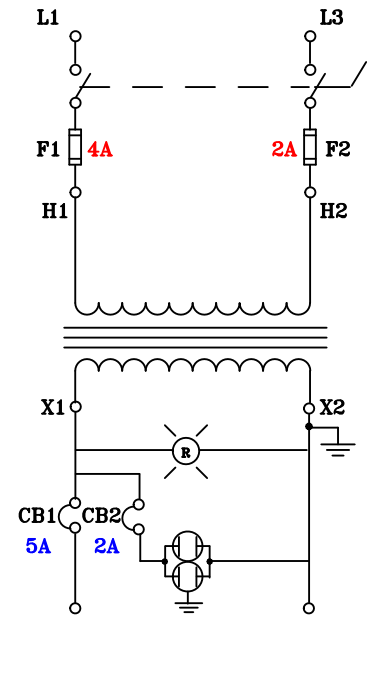
1. ALL UNITS ARE cUL LISTED & DESIGNED ACCORDANCE WITH INDUSTRY STANDARDS.
2. TRANSFORMERS ARE DRY-TYPE, CLASS AA, MOUNTED BENEATH NEMA 1 ENCLOSURE FOR INDOOR / CONTROL-PANEL USE.
3. DISCONNECT HAS BOTTOM BRACKET SYSTEM FOR BASE MOUNTING.
4. TRANSFORMERS ARE CONSTRUCTED BASED UPON A 40°C AMBIENT ENVIRONMENT.
5. MAINTAIN 1" CLEARANCE FROM ALL LIVE PARTS.
6. PAINT COLOR IS RAL# 7042.



FRONT VIEW



SIDE VIEW



CIRCUIT VIEW

**APPROXIMATE DIMENSIONS ( INCHES )**

| KVA   | A    | B     | C     | D    | E    | F    | HARDWARE | MTG SLOTS       | ENCLOSURE | STEEL  | STACK | WEIGHT | TERMINAL |
|-------|------|-------|-------|------|------|------|----------|-----------------|-----------|--------|-------|--------|----------|
| 0.750 | 8.00 | 11.50 | 13.25 | 3.63 | 4.38 | 6.50 | 1/4-20   | 0.250" x 0.562" | MLD-PT    | EI-175 | 2.50  | 30     | TBs      |

\* ELECTROSTATIC SHIELD GROUNDED TO TRANSFORMER CASE AT FACTORY ( IF APPLICABLE )

DRAWINGS  
 APPROVAL  
 RECORD  
 OTHER

|                        |  |            |  |
|------------------------|--|------------|--|
| PRIMARY VOLTAGE        | 480  | CUST.      | XXXXXXXX                                     |
| SECONDARY VOLTAGE      | 120  | JOB        |  |
| TEMPERATURE RISE IN °C | 115  | PRIMARY:   | 200KA SCCR FUSIBLE DISCONNECT SWITCH         |
| WINDINGS & TERMINALS   | <input type="checkbox"/> ALUMINUM <input checked="" type="checkbox"/> COPPER | SECONDARY: | 15A DUPLEX RECEPTACLE and RED POWER-ON LIGHT |
| FREQUENCY HERTZ        | 60   | BY         | ENG. LOG.                                    |
| PRIMARY TAPS           | NONE   | DATE       | TITLE  |
|                        |  | REV        | MFG. LOG.                                    |
|                        |  | DATE:      | DWG. FILE                                    |
|                        |  | DWG. NO.   |  |
|                        |  | MLD-750-A  |  |