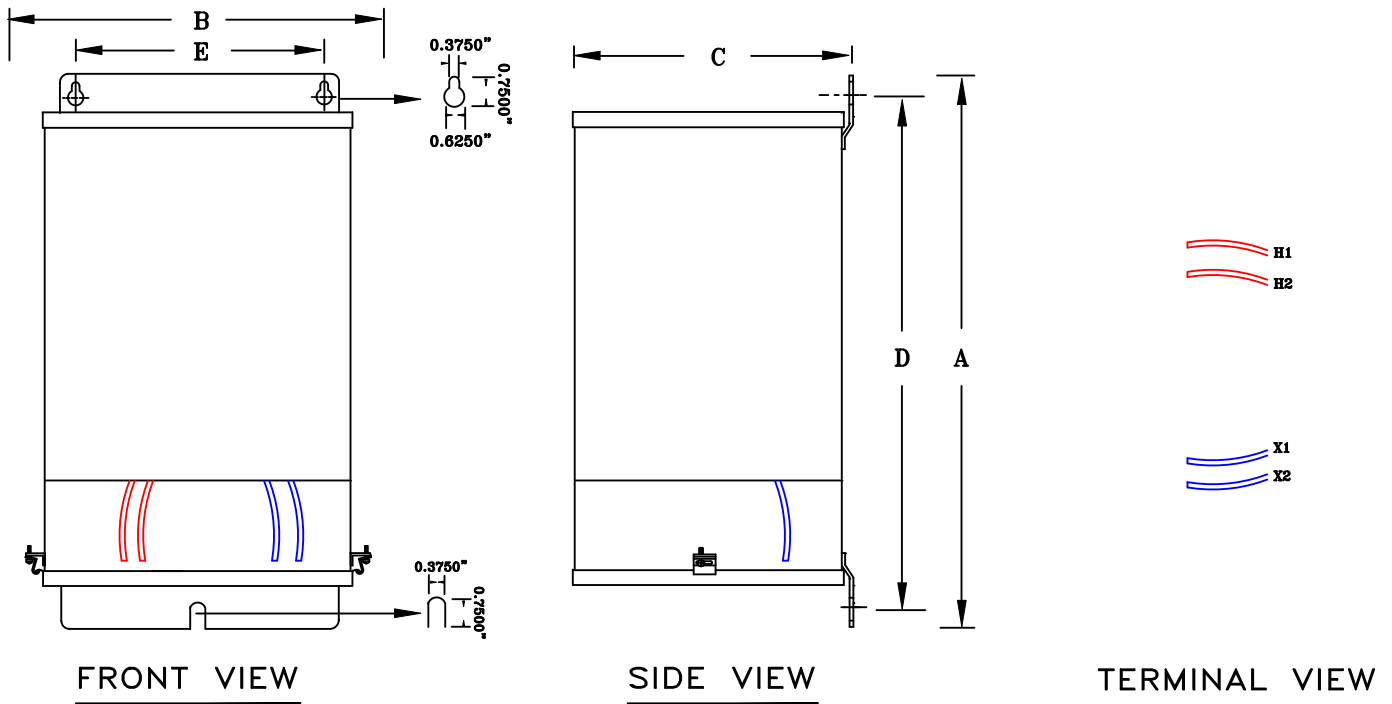


NOTES:

1. ALL UNITS ARE cUL LISTED & DESIGNED ACCORDANCE WITH INDUSTRY STANDARDS.
2. TRANSFORMERS ARE DRY-TYPE, CLASS AA, ENCAPSULATED NEMA 12 ENCLOSED FOR INDOOR / DUSTPROOF USE.
3. TRANSFORMERS ARE WALL / MACHINE MOUNTABLE VIA THE ATTACHED BRACKETS.
4. TRANSFORMERS ARE CONSTRUCTED BASED UPON A 40°C AMBIENT ENVIRONMENT.
5. MAINTAIN 1" CLEARANCE FROM ALL LIVE PARTS.
6. PAINT COLOR IS RAL# 7042.



APPROXIMATE DIMENSIONS (INCHES)

| KVA | A | B | C | D | E | F | HARDWARE | MTG SLOTS | ENCLOSURE | lbs. | WEATHER SHIELD | TERMINAL TYPE |
|-----|-------|------|------|-------|------|------|----------|-----------------|-----------|------|----------------|---------------|
| 2.0 | 12.25 | 8.63 | 6.25 | 11.00 | 5.75 | ---- | 1/4-20 | 0.375" x 0.625" | N212-EX | 55 | N/A | LEADs |

* ELECTROSTATIC SHIELD GROUNDED TO TRANSFORMER CASE AT FACTORY (IF APPLICABLE)

| |
|--|
| DRAWINGS |
| <input checked="" type="checkbox"/> APPROVAL |
| <input type="checkbox"/> RECORD |
| <input type="checkbox"/> OTHER |

| | | | |
|------------------------|--|-----------|--|
| PRIMARY VOLTAGE | 208 | CUST. | XXXXXXXX |
| SECONDARY VOLTAGE | 120 | JOB | |
| TEMPERATURE RISE IN °C | 115 | CATALOG | |
| WINDINGS & TERMINALS | <input type="checkbox"/> ALUMINUM <input checked="" type="checkbox"/> COPPER | NOTE | XXXXXXXX |
| FREQUENCY IN HERTZ | 60 | BY | ENG. LOG. TITLE 1-PHASE, 600 VOLT CLASS ISOLATION DRY TYPE TRANSFORMER |
| PRIMARY TAPS | NONE | DATE | |
| POWERTRAN | REV | MFG. LOG. | DWG. NO. |
| | DATE: | DWG. FILE | NF208L2000 |