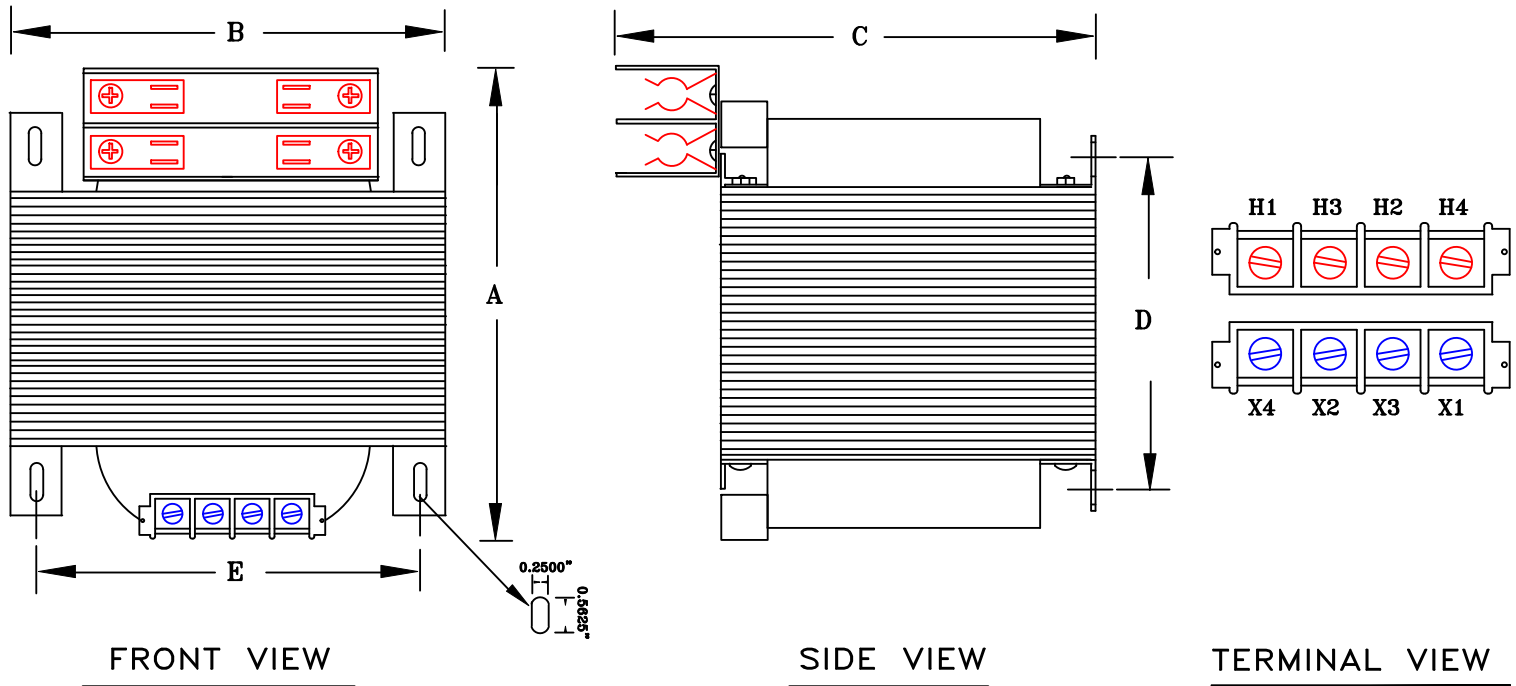


TYPICAL WIRING DIAGRAM

**NOTES:**

1. ALL UNITS ARE cUL LISTED & DESIGNED ACCORDANCE WITH INDUSTRY STANDARDS.
2. TRANSFORMERS ARE DRY-TYPE, CLASS AA, VENTILATED, OPEN-STYLE ASSEMBLY FOR INDOOR/CONTROL PANEL USE.
3. TRANSFORMER ARE BASE MOUNTED.
4. TRANSFORMERS ARE CONSTRUCTED BASED UPON A 40°C AMBIENT ENVIRONMENT.
5. MAINTAIN 1" CLEARANCE FROM ALL LIVE PARTS.



FRONT VIEW

SIDE VIEW

TERMINAL VIEW

0.2500"  
0.5625"

**APPROXIMATE DIMENSIONS ( INCHES )**

| KVA   | A    | B    | C    | D    | E    | 2-POLE PRIMARY FUSE BLOCK | PRIMARY COVER | SECONDARY COVER | HARDWARE | (4) MTG SLOTS   | STEEL  | STACK | WEIGHT |
|-------|------|------|------|------|------|---------------------------|---------------|-----------------|----------|-----------------|--------|-------|--------|
| 0.050 | 4.00 | 3.00 | 3.88 | 2.00 | 2.50 | INCLUDED                  | INCLUDED      | INCLUDED        | 1/4-20   | 0.250" x 0.562" | EI-100 | 1.00  | 3      |

\* IF YOU PURCHASE THE PRIMARY FUSE BLOCK, IT WILL ADD 2.25" TO THE "C" DIMENSION

\*\* IF YOU UTILIZE THE SECONDARY FUSE CLIPS, THEY WILL ADD 0.50" TO THE "C" DIMENSION

DRAWINGS  
 APPROVAL  
 RECORD  
 OTHER

|                        |  |           |           |       |  |  |  |  |  |  |  |  |  |
|------------------------|--|-----------|-----------|-------|--|--|--|--|--|--|--|--|--|
| PRIMARY VOLTAGE        | 240 x 480  | CUST.     | XXXXXXXX  |       |  |  |  |  |  |  |  |  |  |
| SECONDARY VOLTAGE      | 120 x 240  | JOB       |           |       |  |  |  |  |  |  |  |  |  |
| TEMPERATURE RISE IN °C | 55   | CATALOG   |           |       |  |  |  |  |  |  |  |  |  |
| WINDINGS & TERMINALS   | <input type="checkbox"/> ALUMINUM <input checked="" type="checkbox"/> COPPER | NOTE      | XXXXXXXX  |       |  |  |  |  |  |  |  |  |  |
| FREQUENCY HERTZ        | 50/60  | BY        | ENG. LOG. | TITLE | 1-PHASE, 600 VOLT CLASS CONTROL DRY TYPE TRANSFORMER |  |  |  |  |  |  |  |  |
| PRIMARY TAPS           | NONE   | DATE      |           |       |  |  |  |  |  |  |  |  |  |
| POWERTRAN              | REV  | MFG. LOG. | DWG. NO.  |       |  |  |  |  |  |  |  |  |  |
|                        | DATE:  | DWG. FILE |           |       | A134MT50-2FB   |  |  |  |  |  |  |  |  |