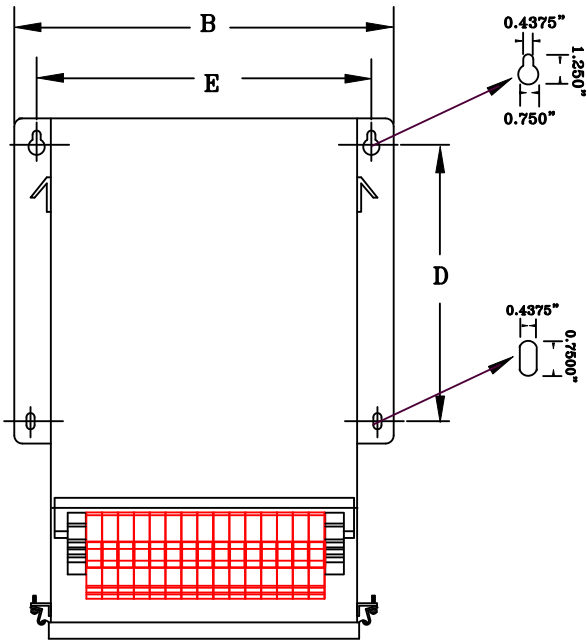


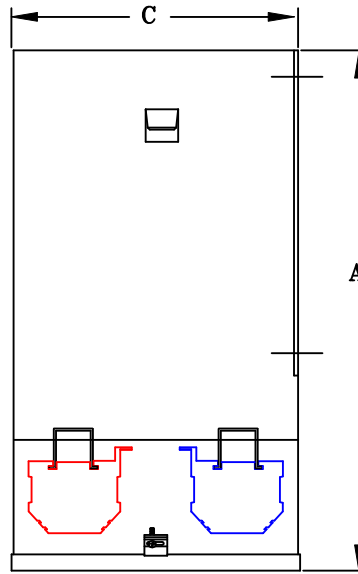
TYPICAL WIRING DIAGRAM

NOTES:

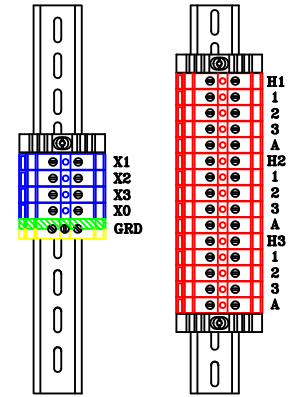
1. ALL UNITS ARE cUL LISTED & DESIGNED IN ACCORDANCE WITH INDUSTRY STANDARDS.
2. TRANSFORMERS ARE DRY-TYPE, CLASS AA, ENCAPSULATED NEMA 1 ENCLOSED FOR INDOOR USE.
3. TRANSFORMERS ARE WALL/MACHINE MOUNTABLE VIA SIDE BRACKETS.
4. TRANSFORMERS ARE CONSTRUCTED BASED UPON A 40°C AMBIENT ENVIRONMENT.
5. MAINTAIN 1" CLEARANCE FROM ALL LIVE PARTS.
6. PAINT COLOR IS RAL# 7042.



FRONT VIEW



SIDE VIEW



TERMINAL VIEW

APPROXIMATE DIMENSIONS (INCHES)

| KVA | A | B | C | D | E | F | HARDWARE | MTG SLOTS | ENCLOSURE | WEIGHT | WEATHER SHIELD | TERMINAL TYPE |
|-----|-------|-------|------|------|-------|------|----------|-----------------|-----------|--------|----------------|---------------|
| 6.0 | 15.25 | 12.38 | 9.00 | 8.50 | 11.25 | ---- | 3/8-16 | 0.437" x 0.750" | N10 | 145 | N/A | TBs |

* ELECTROSTATIC SHIELD GROUNDED TO TRANSFORMER CASE AT FACTORY (IF APPLICABLE)

DRAWINGS
 APPROVAL
 RECORD
 OTHER

| | | | | | | | | | | | | |
|------------------------|--|---------|------------|--|--|--|--|--|--|--|--|--|
| PRIMARY VOLTAGE | 240 DELTA | CUST. | XXXXXXXXXX | | | | | | | | | |
| SECONDARY VOLTAGE | 440Y/254 | JOB | | | | | | | | | | |
| TEMPERATURE RISE IN °C | 115 | CATALOG | | | | | | | | | | |
| WINDINGS & TERMINALS | <input type="checkbox"/> ALUMINUM <input checked="" type="checkbox"/> COPPER | NOTE | XXXXXXXXXX | | | | | | | | | |
| FREQUENCY HERTZ | 60 | BY | ENG. LOG. | TITLE 3-PHASE, 600 VOLT CLASS ISOLATION DRY TYPE TRANSFORMER | | | | | | | | |
| PRIMARY TAPS | 228, 252 | DATE | | | | | | | | | | |
| | | REV | MFG. LOG. | | | | | | | | | |
| | | DATE: | DWG. FILE | 3EF773FST6 | | | | | | | | |