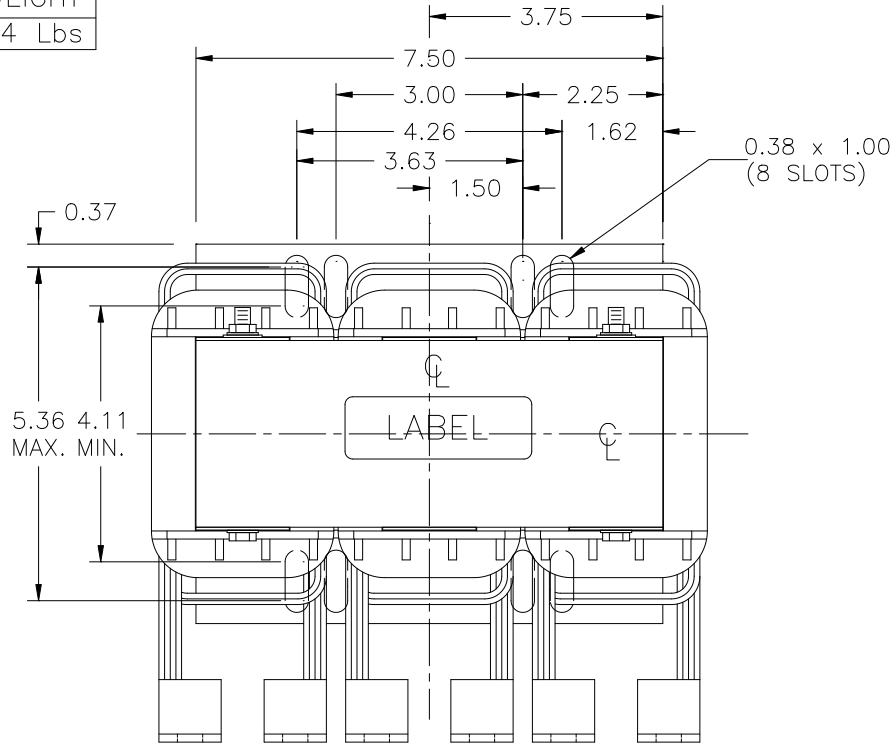


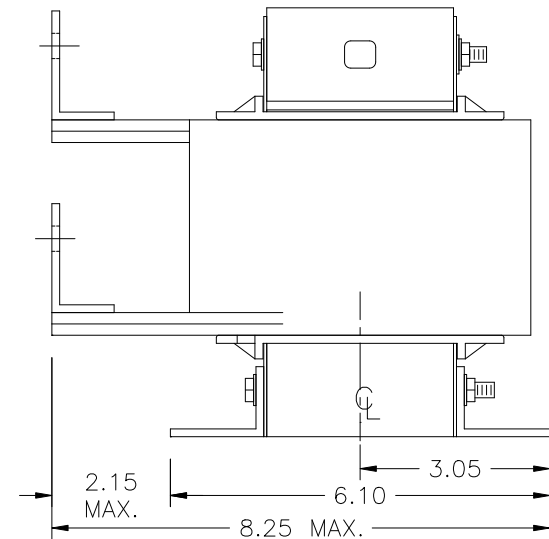
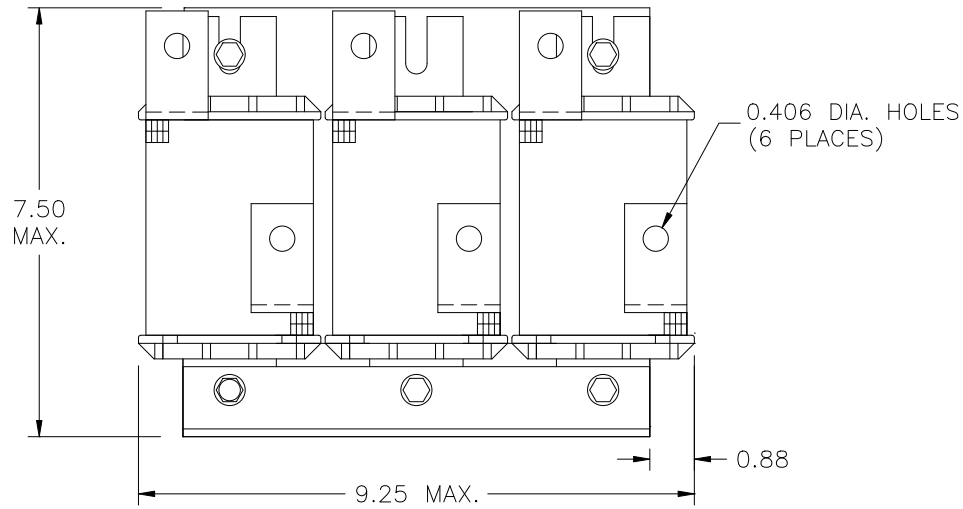
FILE: J:\ENG\PROD DOC\RL

INDUCTANCE	WEIGHT
0.110 mH	54 Lbs

NO.	CHANGE DESCRIPTION	BY	DATE	C'K'D
-----	--------------------	----	------	-------



NOTE:  
CENTER LINE REPRESENTS  
CENTER OF REACTOR CORE



UNLESS OTHERWISE SPECIFIED, DIMENSIONS ARE IN INCHES [mm] AND TOLERANCES ARE:

DECI.                      FRAC.  
  
ANGLES                      DRILLED HOLES

PART NAME: 3 PHASE REACTOR

DESCRIPTION: OUTLINE DIMENSION

FINISH:

MTE CORPORATION  
MENOMONEE FALLS, WISCONSIN

RL-20002B14

REV.  
07

SCALE	NTS	DATE	04/15/05	C'K'D
REF.		DR. BY	KPH	APP'D