

FILE: J:\CUSTDWG\CATRL\CD-00801

INDUCTANCE

1.5 mH

LOSSES

19.5 Watts

WEIGHT

7 Lbs

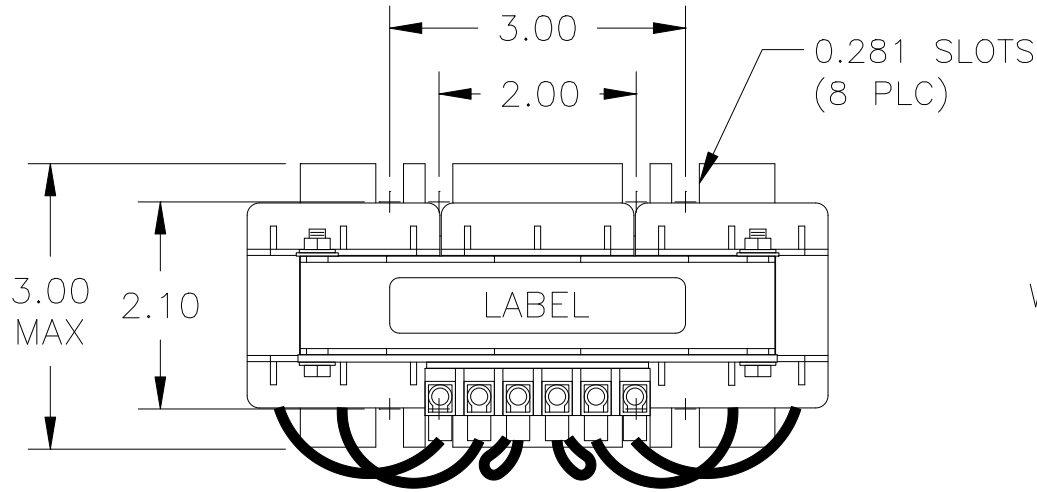
NO.

CHANGE DESCRIPTION

BY

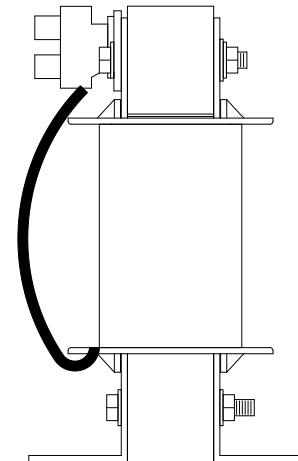
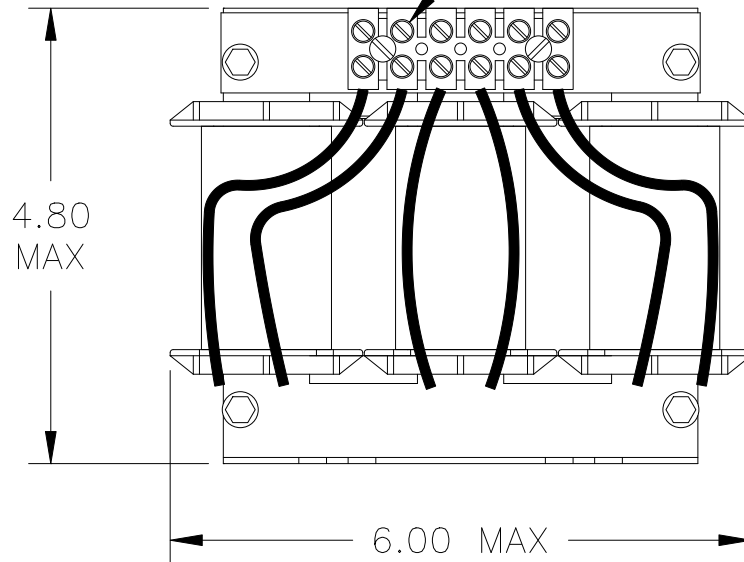
DATE

C'K'D



WIRE RANGE: 22-14 AWG

CAUTION- TERMINAL SCREW TIGHTENING TORQUE: 4.5 in-lb MAX.



UNLESS OTHERWISE SPECIFIED, DIMENSIONS ARE IN INCHES [mm] AND TOLERANCES ARE:

DECI. FRAC.

ANGLES DRILLED HOLES

PART NAME: 3-PHASE REACTOR

DESCRIPTION: OUTLINE DIMENSION

FINISH:

MTE CORPORATION
MENOMONEE FALLS, WISCONSIN

RL-00801

REV.
11

SCALE NTS

DATE 02/09/94

C'K'D

REF.

DR. BY RD

APP'D