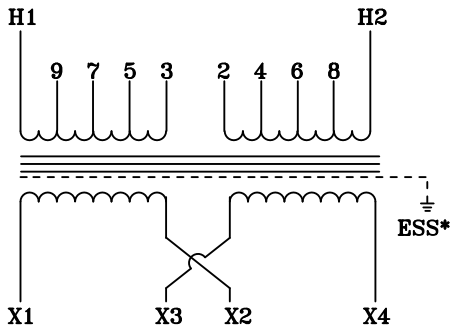
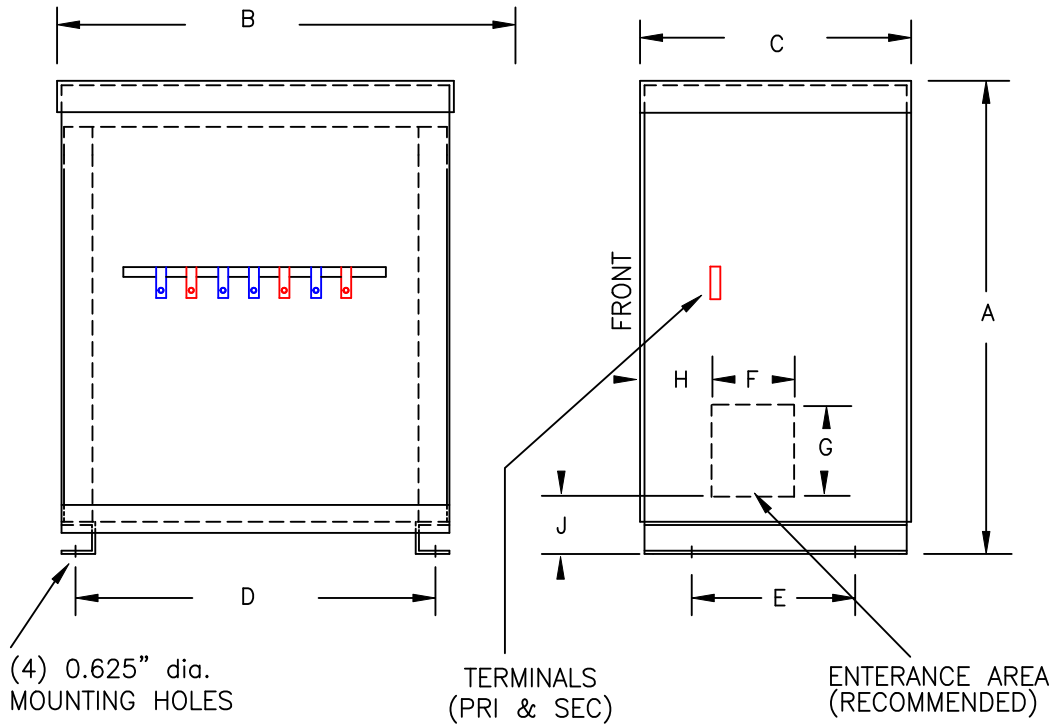


**NOTES:**

1. ALL UNITS ARE cUL LISTED & DESIGNED ACCORDANCE WITH INDUSTRY STANDARDS.
2. TRANSFORMERS ARE DRY-TYPE, CLASS AA, NON-VENTILATED NEMA 3R ENCLOSED FOR INDOOR / OUTDOOR USE.
3. TRANSFORMERS ARE FLOOR MOUNTED.
4. TRANSFORMERS ARE CONSTRUCTED BASED UPON A 40°C AMBIENT ENVIRONMENT.
5. MAINTAIN 1" CLEARANCE FROM ALL LIVE PARTS.
6. PAINT COLOR IS ANSI #61.

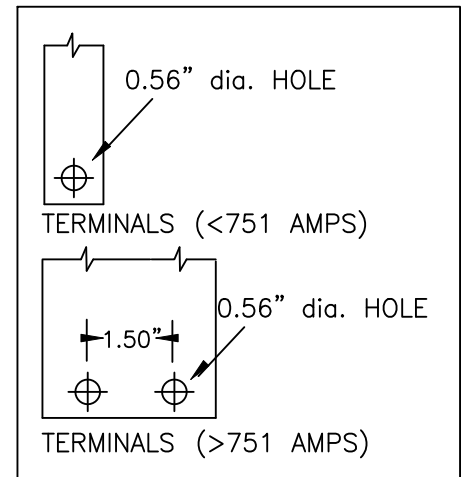


TYPICAL WIRING DIAGRAM



FRONT VIEW

SIDE VIEW



TERMINAL DETAILS

(4) 0.625" dia. MOUNTING HOLES

TERMINALS (PRI & SEC)

ENTERANCE AREA (RECOMMENDED)

**APPROXIMATE DIMENSIONS ( INCHES )**

KVA	A	B	C	D	E	F	G	H	J	K	BOX	lbs.	WEATHER SHIELD	TERMINAL TYPE
100.0	72.75	53.38	36.88	39.88	34.63	10.00	10.00	13.50	7.50	----	3PT-112K-TENV	1525	N/A	BUSBAR

\* ELECTROSTATIC SHIELD GROUNDED TO TRANSFORMER CASE AT FACTORY ( IF APPLICABLE )

DRAWINGS  
 APPROVAL  
 RECORD  
 OTHER

PRIMARY VOLTAGE	240 x 480	CUST.	XXXXXXXX		
SECONDARY VOLTAGE	120 x 240	JOB			
TEMPERATURE RISE IN °C	150	CATALOG			
WINDINGS & TERMINALS	<input checked="" type="checkbox"/> ALUMINUM <input type="checkbox"/> COPPER	NOTE	TOTALLY-ENCLOSED NON-VENTILATED		
FREQUENCY IN HERTZ	60	BY	ENG. LOG.	TITLE 1-PHASE, 600 VOLT CLASS ISOLATION DRY TYPE TRANSFORMER	
PRIMARY TAPS	228, 252, 456, 504	DATE			
		REV	MFG. LOG.	DWG. NO.  PTN104-100K-TENV	
		DATE:	DWG. FILE		