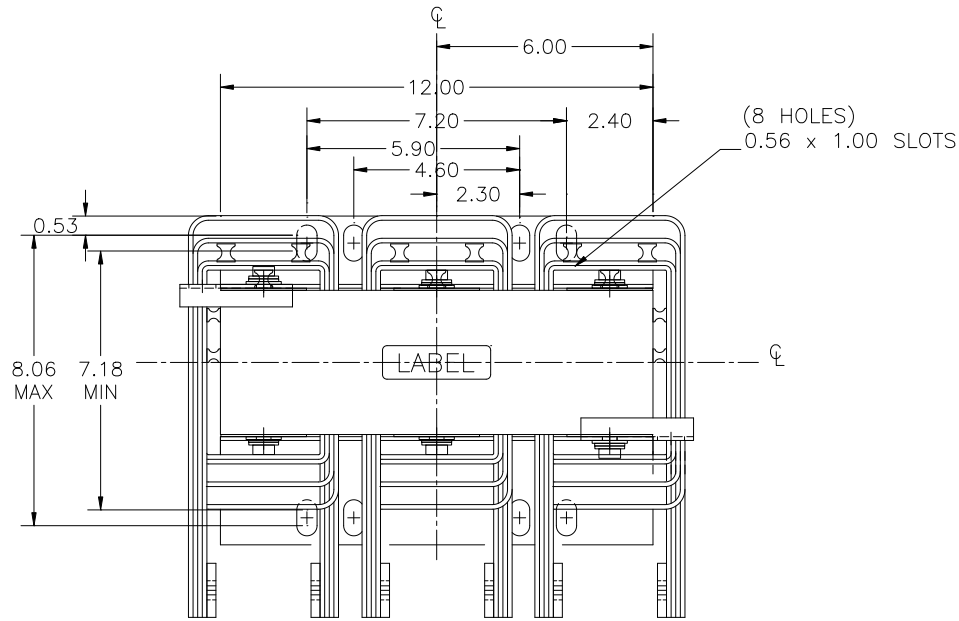


FILE: J:\ENG\PROD-DOC\RL(RL)

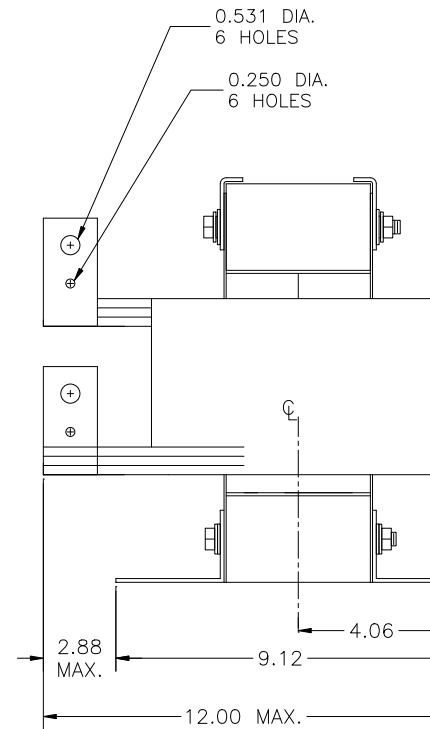
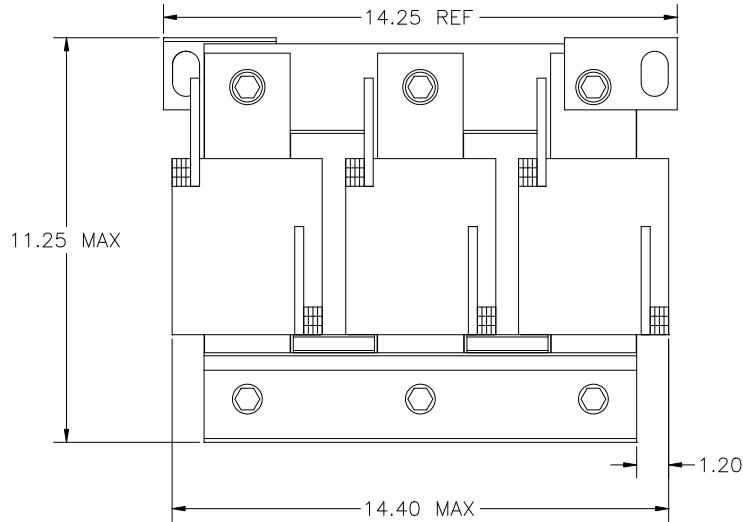
INDUCTANCE
0.040 mH

WEIGHT
175 LBS

| NO. | CHANGE DESCRIPTION | BY | DATE | C'K'D |
|-----|--------------------|----|------|-------|
|-----|--------------------|----|------|-------|



NOTE:
CENTER LINE REPRESENTS
CENTER OF REACTOR CORE



UNLESS OTHERWISE SPECIFIED, DIMENSIONS ARE IN INCHES AND TOLERANCES ARE:

DECI. FRAC.

ANGLES DRILLED HOLES

PART NAME: 3 PHASE REACTOR

DESCRIPTION: OUTLINE DIMENSION

FINISH:

MTE CORPORATION
MENOMONEE FALLS, WISCONSIN

RL-60002

REV.
16

| | | | | |
|-------|-----|--------|----------|-------|
| SCALE | NTS | DATE | 09/16/05 | C'K'D |
| REF. | | DR. BY | ER | APP'D |