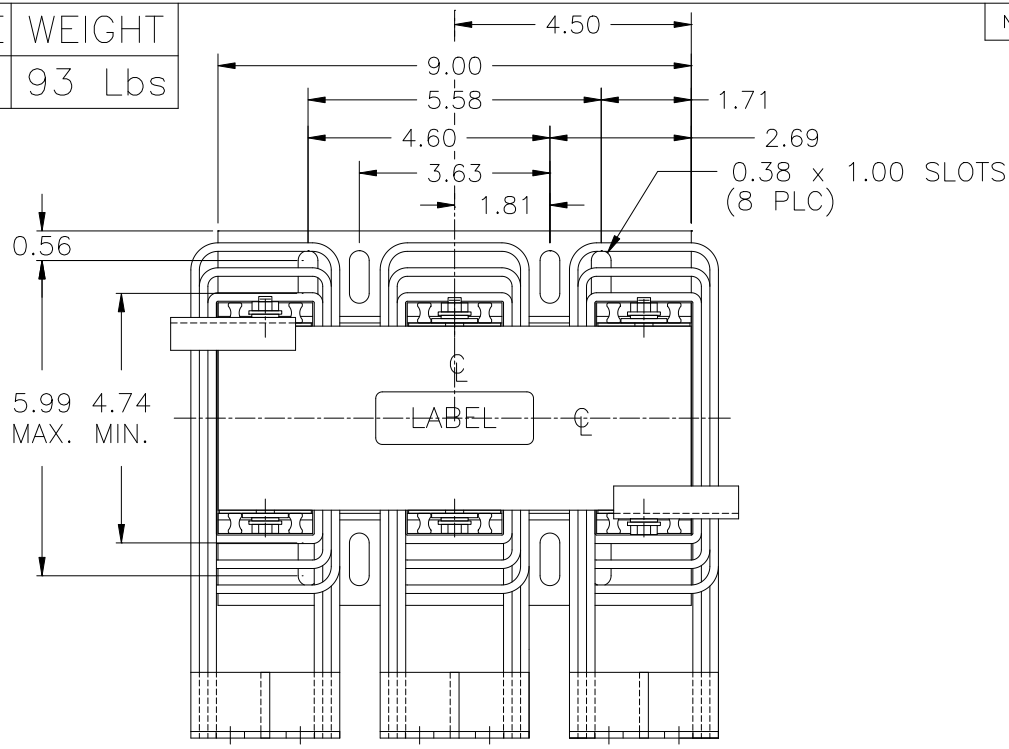


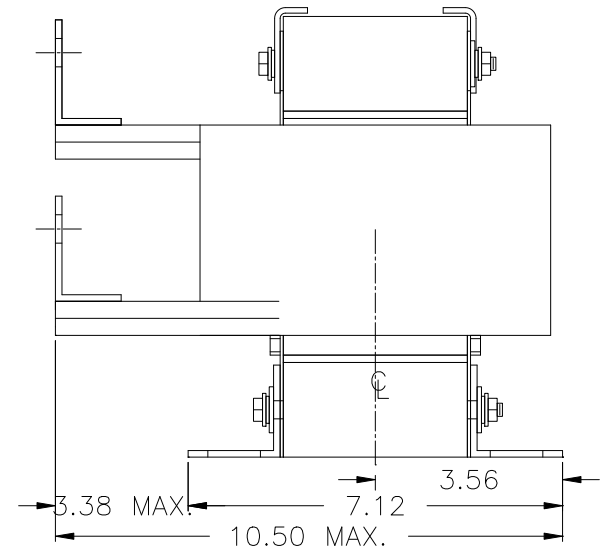
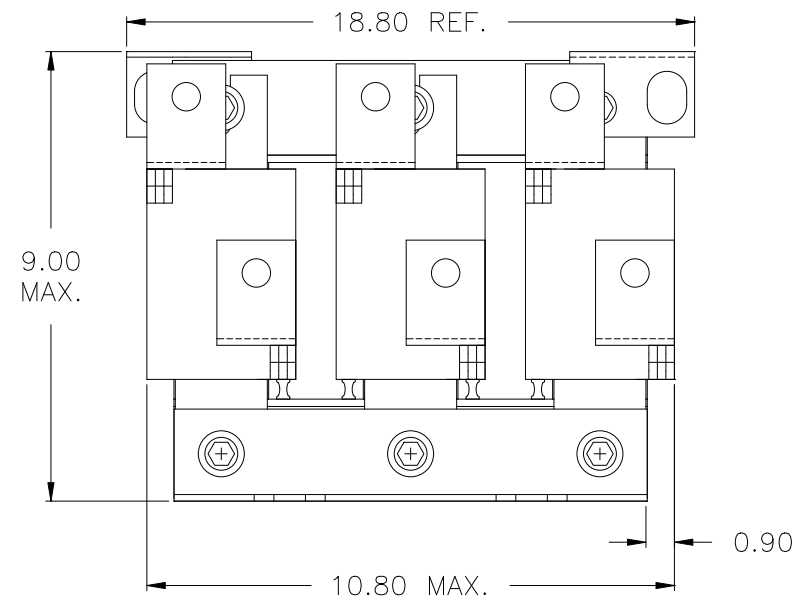
FILE: J:\ENG\PROD DOC\RL

INDUCTANCE	WEIGHT
0.025 mH	93 Lbs

NO.	CHANGE DESCRIPTION	BY	DATE	C'K'D
-----	--------------------	----	------	-------



NOTE:
CENTER LINE REPRESENTS
CENTER OF REACTOR CORE



UNLESS OTHERWISE SPECIFIED, DIMENSIONS ARE IN INCHES [mm] AND TOLERANCES ARE:

DECI.	FRAC.
ANGLES	DRILLED HOLES

PART NAME: 3-PHASE REACTOR
DESCRIPTION: OUTLINE DIMENSION
FINISH:

MTE CORPORATION
MENOMONEE FALLS, WISCONSIN

RL-50001B14			REV. 10
SCALE NTS	DATE 04/15/05	C'K'D	
REF.	DR. BY KPH	APP'D	