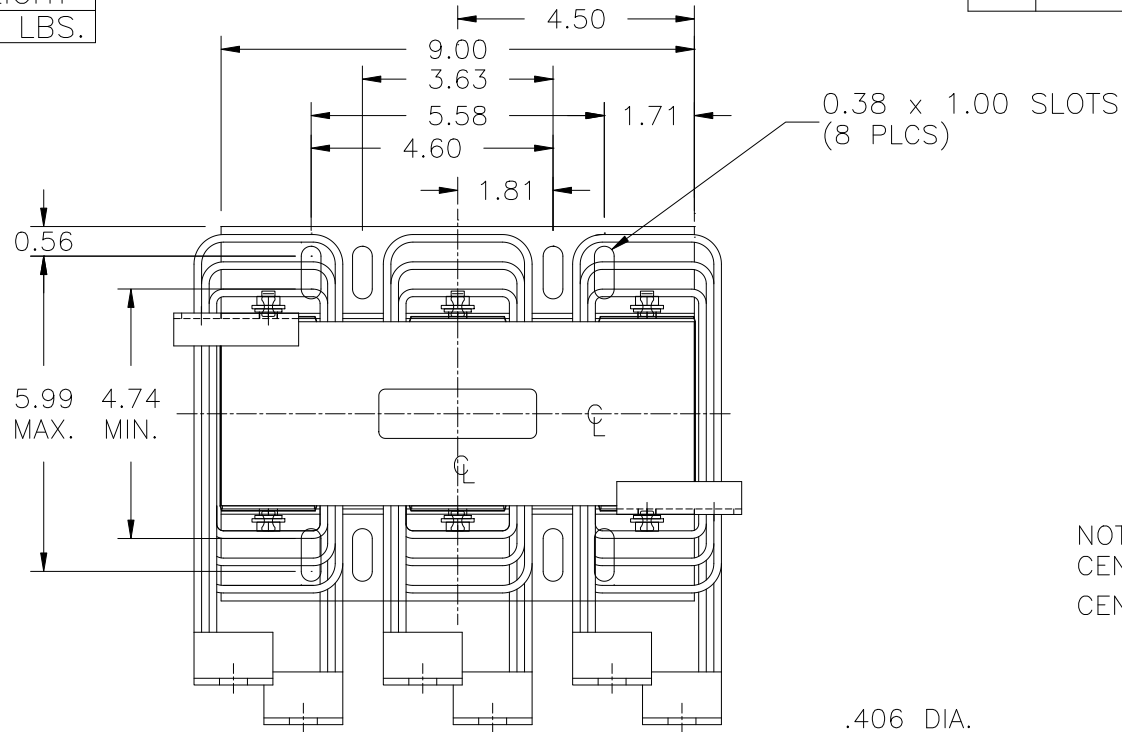


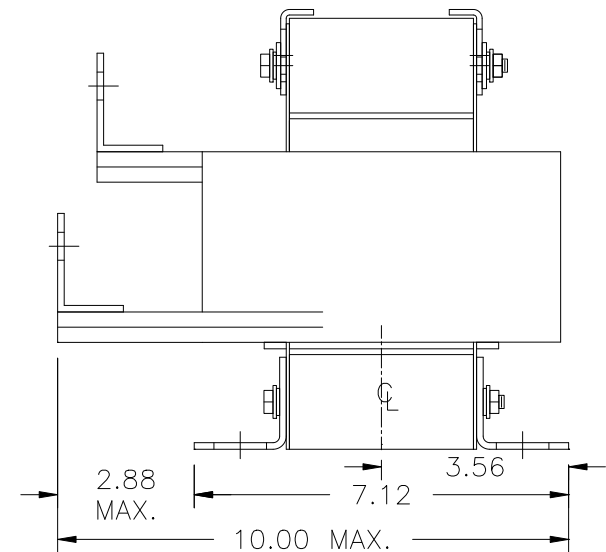
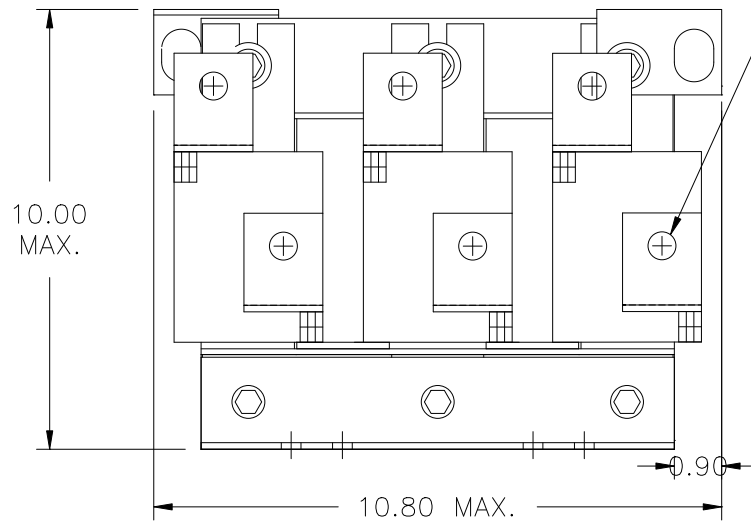
FILE: J:\ENG\PROD DOC\RL(RL)

INDUCTANCE	WEIGHT
0.030 mH	84 LBS.

NO.	CHANGE DESCRIPTION	BY	DATE	C'K'D
-----	--------------------	----	------	-------



NOTE:
CENTER LINE REPRESENTS
CENTER OF REACTOR CORE



UNLESS OTHERWISE SPECIFIED, DIMENSIONS ARE IN INCHES [mm] AND TOLERANCES ARE:

DECI.	FRAC.
ANGLES	DRILLED HOLES

PART NAME: 3-PHASE REACTOR

DESCRIPTION: OUTLINE DIMENSION

FINISH:

MTE CORPORATION
MENOMONEE FALLS, WISCONSIN

RL-40001B14

REV.
00

SCALE	NTS	DATE	09/20/05	C'K'D
REF.		DR. BY	AGK	APP'D