

FILE: J:\ENG\PROD-DOC\RL(RL)

INDUCTANCE

0.150 mH

WEIGHT

125 Lbs

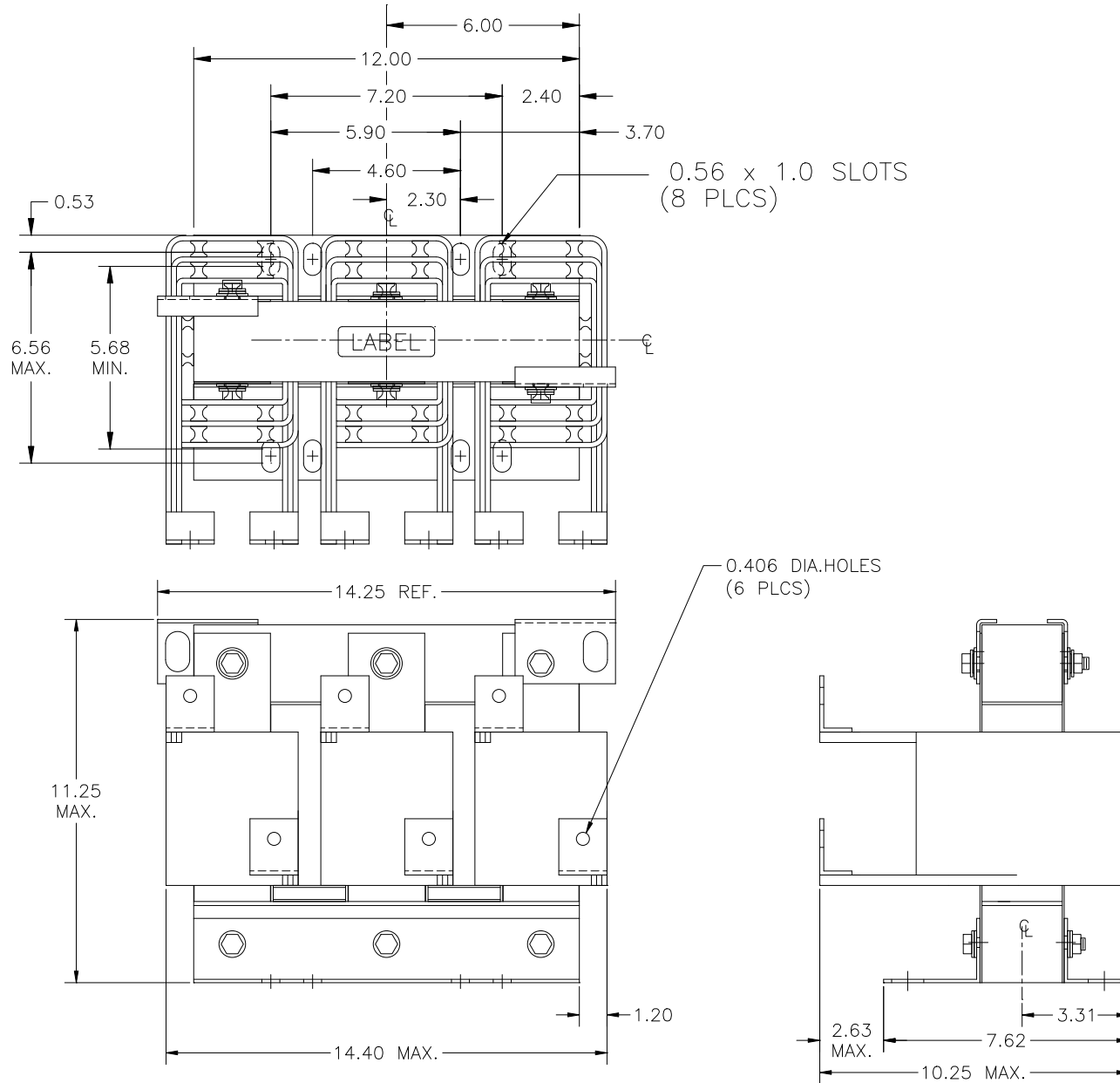
NO.

CHANGE DESCRIPTION

BY

DATE

C'K'D



NOTE:  
CENTER LINE REPRESENTS  
CENTER OF REACTOR CORE

UNLESS OTHERWISE SPECIFIED, DIMENSIONS ARE IN INCHES [mm] AND TOLERANCES ARE:

DECI.                      FRAC.  
  
ANGLES                      DRILLED HOLES

PART NAME: 3-PHASE REACTOR

DESCRIPTION: OUTLINE DIMENSION

FINISH:

MTE CORPORATION  
MENOMONEE FALLS, WISCONSIN

RL-25003B14

REV.  
02

SCALE	NTS	DATE	09/27/05	C'K'D
REF.		DR. BY	KFL	APP'D