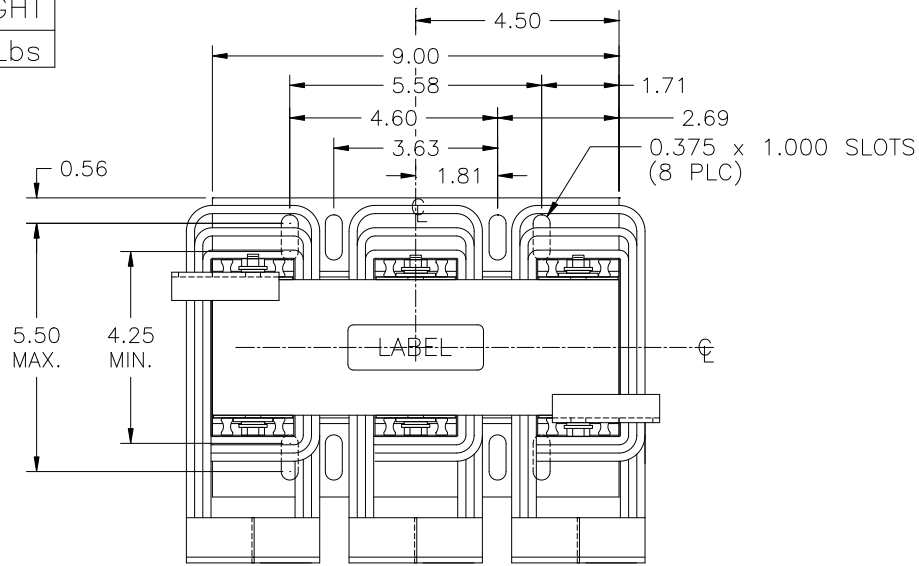


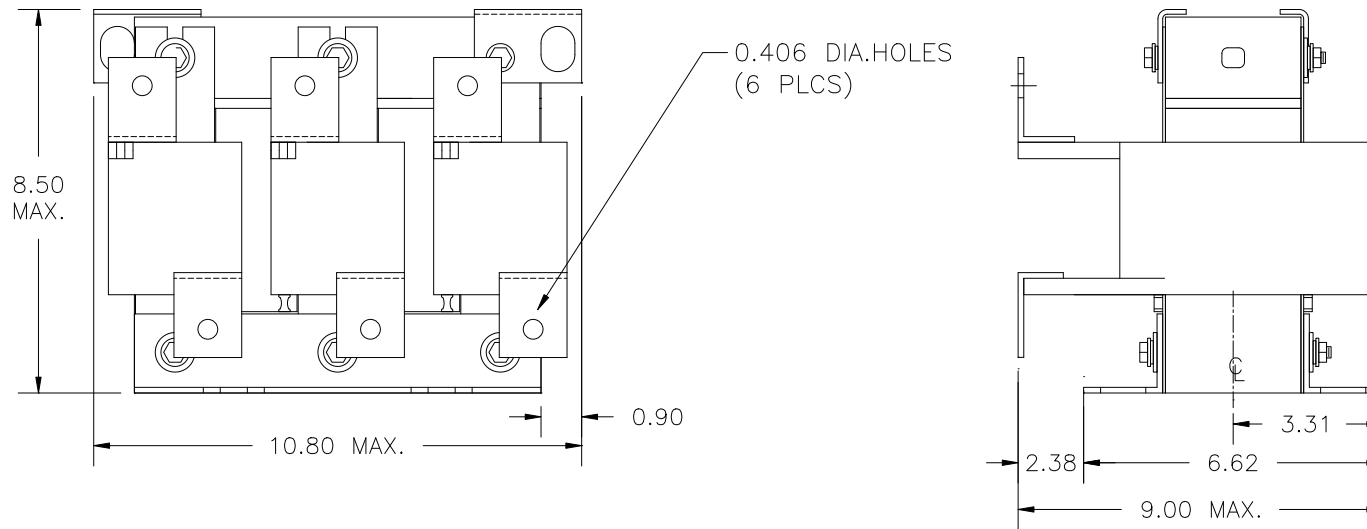
FILE: J:\ENG\PROD DOC\RL

INDUCTANCE	WEIGHT
0.090 mH	80 Lbs

NO.	CHANGE DESCRIPTION	BY	DATE	C'K'D
-----	--------------------	----	------	-------



NOTE:
CENTER LINE REPRESENTS
CENTER OF REACTOR CORE



UNLESS OTHERWISE SPECIFIED, DIMENSIONS ARE IN INCHES [mm] AND TOLERANCES ARE:

DECI. FRAC.

ANGLES DRILLED HOLES

PART NAME: 3-PHASE REACTOR

DESCRIPTION: OUTLINE DIMENSION

FINISH:

MTE CORPORATION
MENOMONEE FALLS, WISCONSIN

RL-25002B14

REV.
02

SCALE	NTS	DATE	11/01/05	C'K'D
REF.		DR. BY	AGK	APP'D