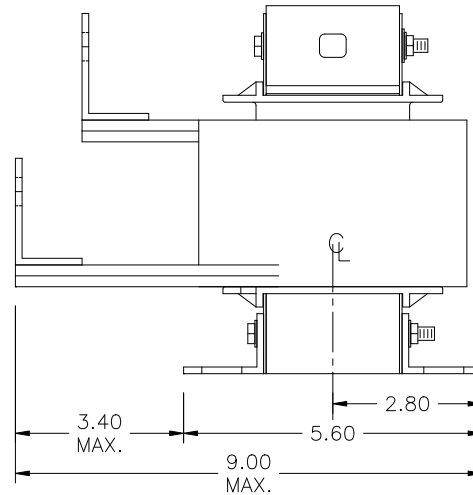
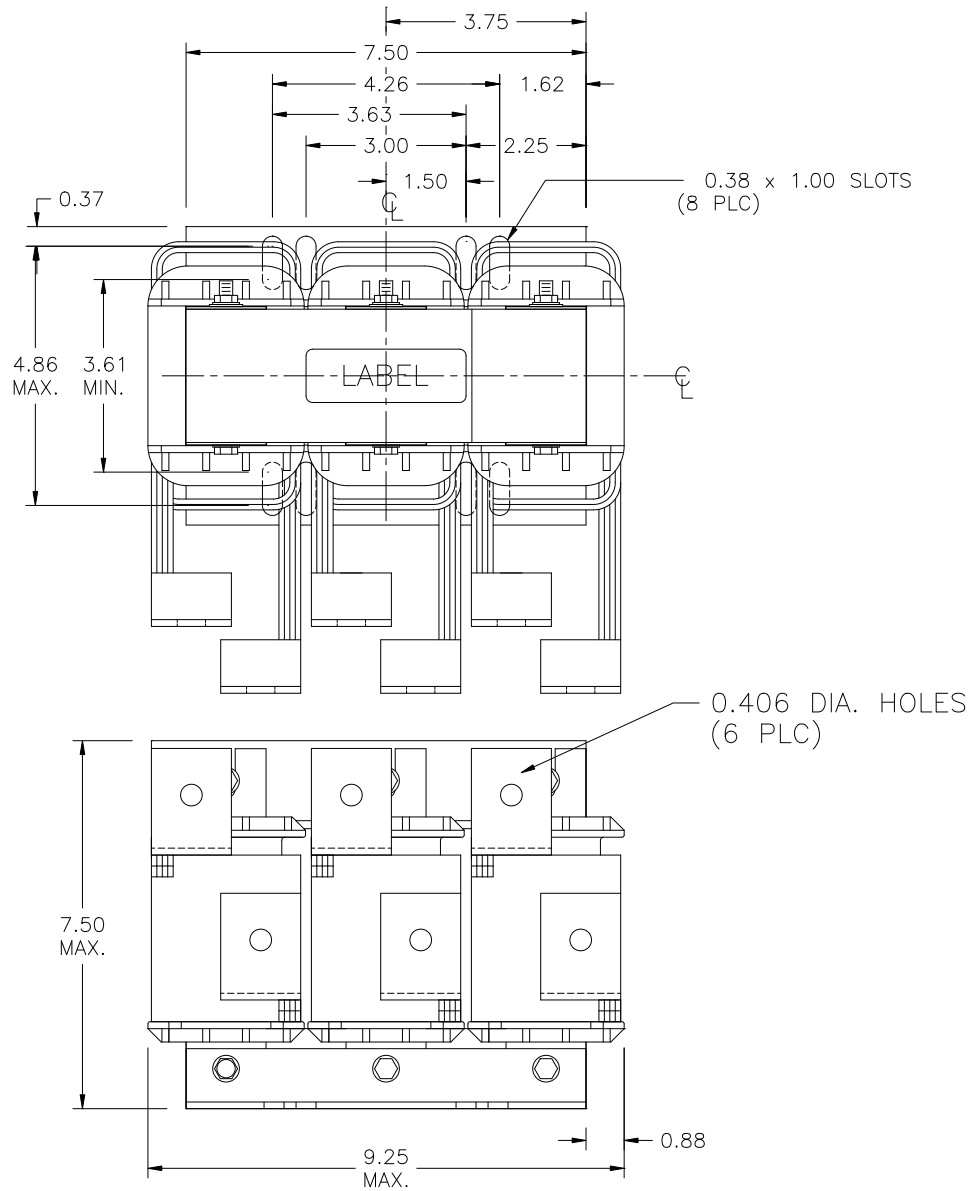


FILE: J:\ENG\PROD DOC\RL

INDUCTANCE	WEIGHT
0.045 mH	47 Lbs

NO.	CHANGE DESCRIPTION	BY	DATE	C'K'D
-----	--------------------	----	------	-------



NOTE:
CENTER LINE REPRESENTS
CENTER OF REACTOR CORE

UNLESS OTHERWISE SPECIFIED, DIMENSIONS ARE IN INCHES [mm] AND TOLERANCES ARE:

DECI.	FRAC.
ANGLES	DRILLED HOLES

PART NAME:	3 PHASE REACTOR
DESCRIPTION:	OUTLINE DIMENSION
FINISH:	

MTE CORPORATION MENOMONEE FALLS, WISCONSIN			
RL-25001B14			REV. 06
SCALE	NTS	DATE	04/15/05
REF.	DR. BY	KPH	C'K'D APP'D