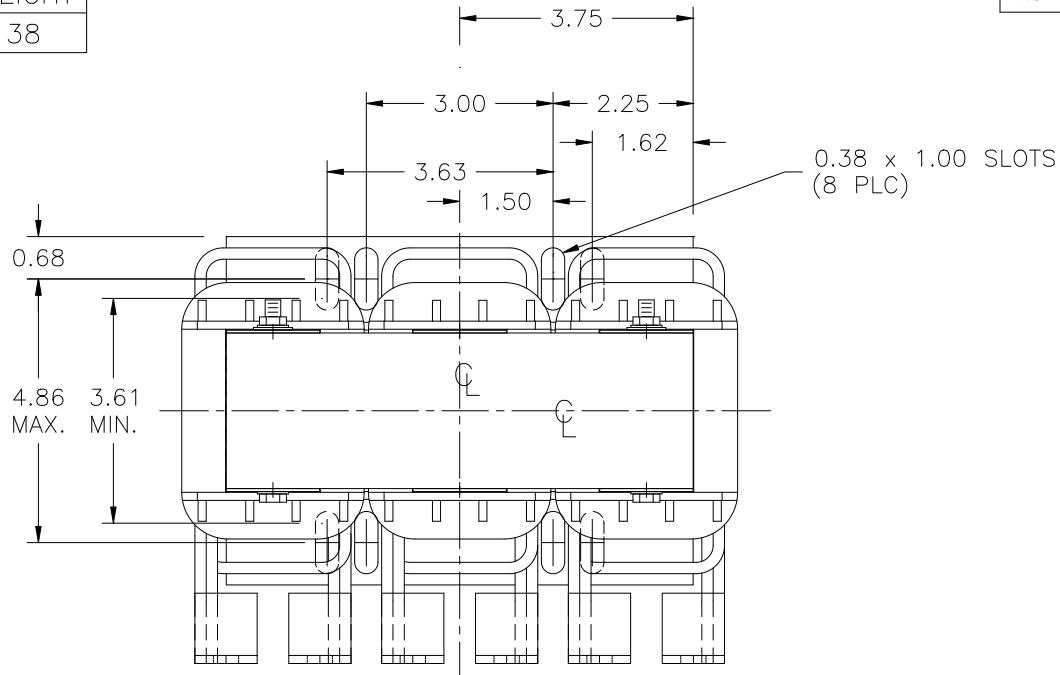


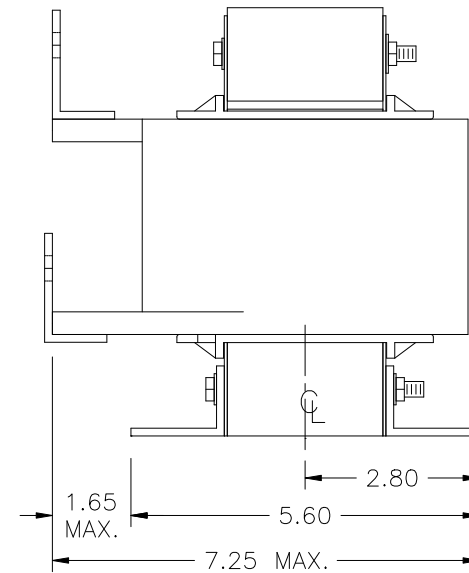
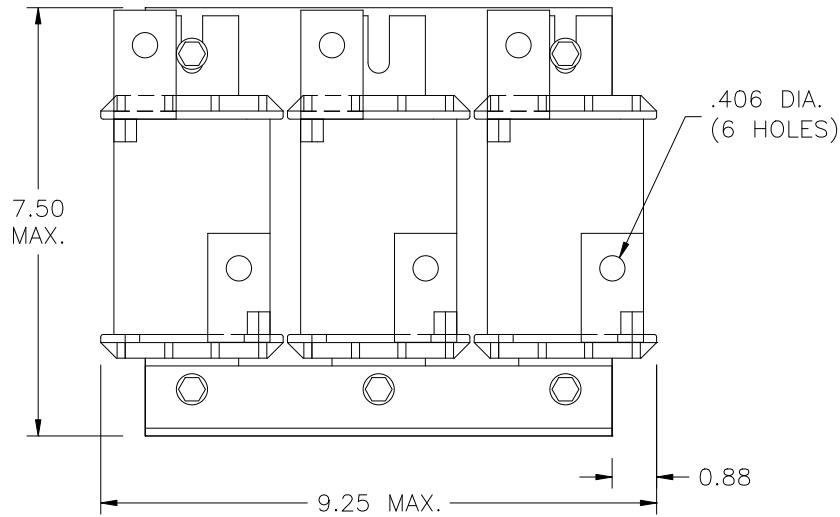
FILE: J:\ENG\PROD DOC\RL

| | |
|------------|--------|
| INDUCTANCE | WEIGHT |
| 0.055 mH | 38 |

| | | | | |
|-----|--------------------|----|------|-------|
| NO. | CHANGE DESCRIPTION | BY | DATE | C'K'D |
|-----|--------------------|----|------|-------|



NOTE:
CENTER LINE REPRESENTS
CENTER OF REACTOR CORE



UNLESS OTHERWISE SPECIFIED, DIMENSIONS ARE IN INCHES [mm] AND TOLERANCES ARE:

DECI. FRAC.

ANGLES DRILLED HOLES

PART NAME: 3 PHASE REACTOR

DESCRIPTION: OUTLINE DIMENSION

FINISH:

MTE CORPORATION
MENOMONEE FALLS, WISCONSIN

RL-20001B14

REV.
01

| | | | | |
|-------|-----|--------|----------|-------|
| SCALE | NTS | DATE | 04/15/05 | C'K'D |
| REF. | | DR. BY | AGK | APP'D |