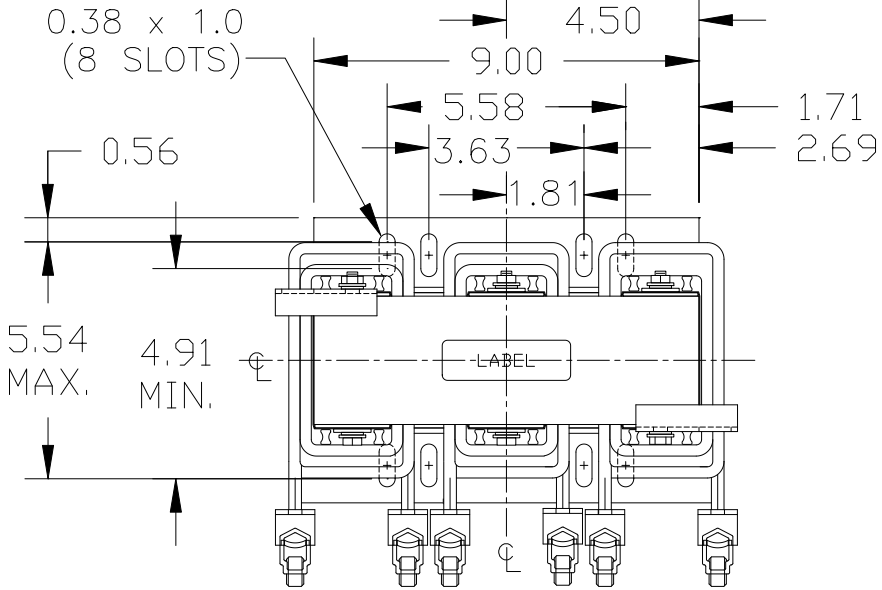


FILE: J:\CUSTDWG\CATRL\CD-16003

INDUCTANCE	LOSSES	WEIGHT
0.230 mH	138 Watts	72 Lbs

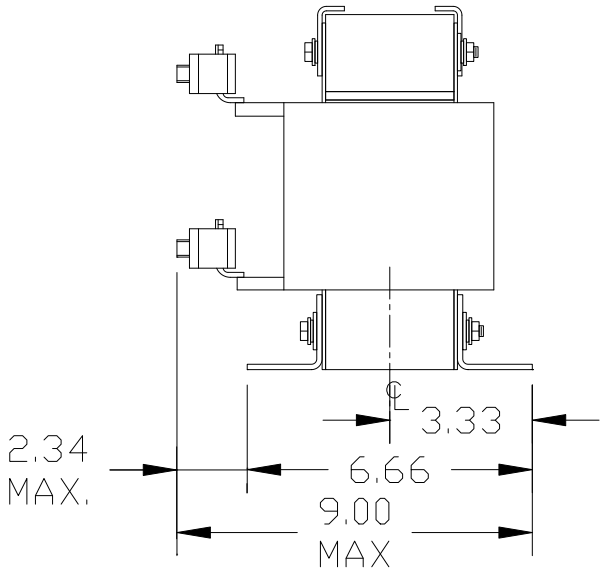
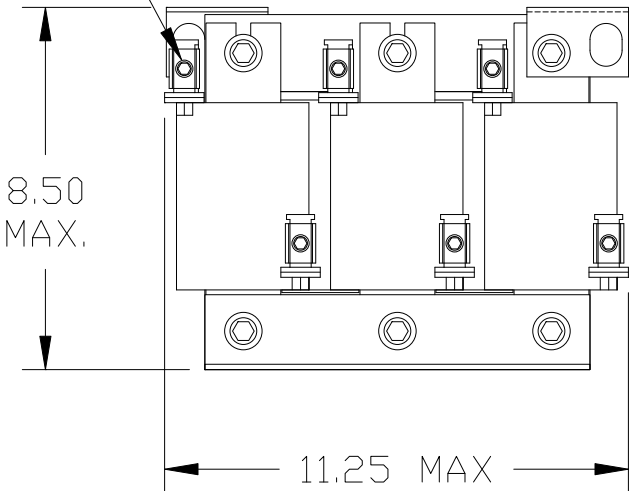
NO.	CHANGE DESCRIPTION	BY	DATE	C'K'D
-----	--------------------	----	------	-------



WIRE RANGE: 2-0000 AWG

NOTE:  
CENTER LINE REPRESENTS  
CENTER OF REACTOR CORE

CAUTION-TERMINAL SCREW TIGHTENING  
TORQUE: 150 in-lb MAX



UNLESS OTHERWISE SPECIFIED, DIMENSIONS ARE IN INCHES [mm] AND TOLERANCES ARE:

DECI.	FRAC.
ANGLES	DRILLED HOLES

PART NAME:	3-PHASE REACTOR
DESCRIPTION:	OUTLINE DIMENSION
FINISH:	

MTE CORPORATION MENOMONEE FALLS, WISCONSIN			
RL-16003			REV. 16
SCALE	NTS	DATE	09/29/97
REF.	DR. BY	JJB	APP'D