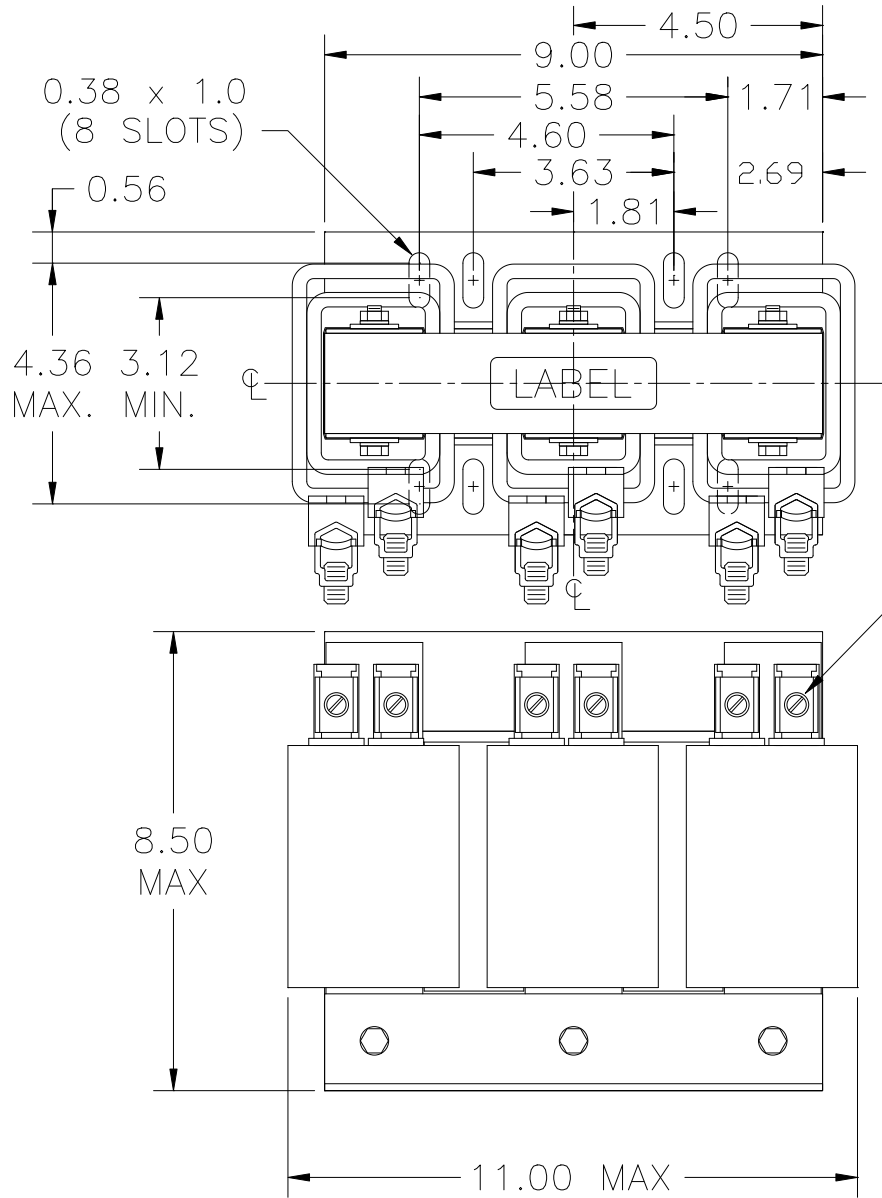


FILE: J:\CUSTDWG\CATRL\CD-16002

INDUCTANCE	LOSSES	WEIGHT
0.150 mH	149 Watts	51 Lbs

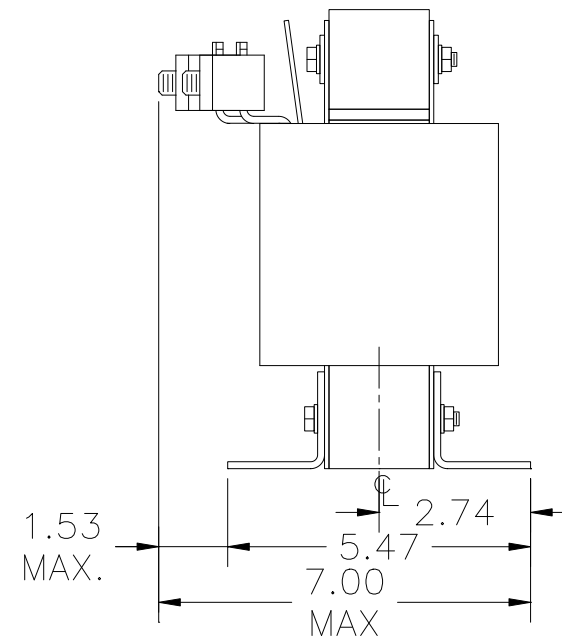
NO.	CHANGE DESCRIPTION	BY	DATE	C'K'D
-----	--------------------	----	------	-------



WIRE RANGE: 2-0000 AWG

NOTE:
CENTER LINE REPRESENTS
CENTER OF REACTOR CORE

CAUTION-TERMINAL SCREW TIGHTENING
TORQUE: 150 in-lb MAX.



UNLESS OTHERWISE SPECIFIED, DIMENSIONS ARE IN INCHES [mm] AND TOLERANCES ARE:

DECI. FRAC.
ANGLES DRILLED HOLES

PART NAME: 3-PHASE REACTOR

DESCRIPTION: OUTLINE DIMENSION

FINISH:

MTE CORPORATION
MENOMONEE FALLS, WISCONSIN

RL-16002

REV.
12

SCALE	NTS	DATE	06/31/94	C'K'D
REF.	DR. BY	RD	APP'D	