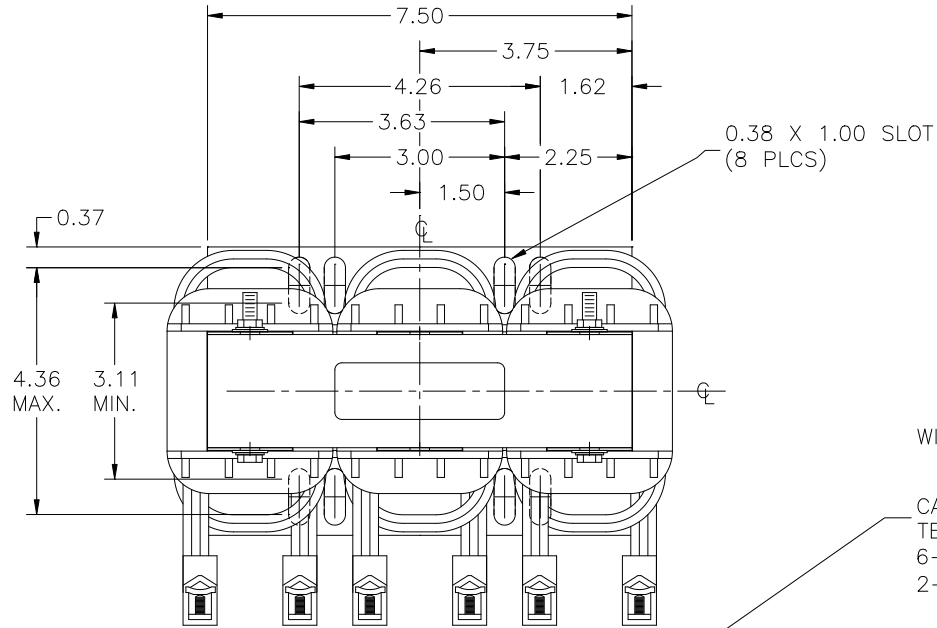


FILE: J:\ENG\PROD DOC\RL (RL)

INDUCTANCE	WEIGHT
0.30 mH	37 Lbs.

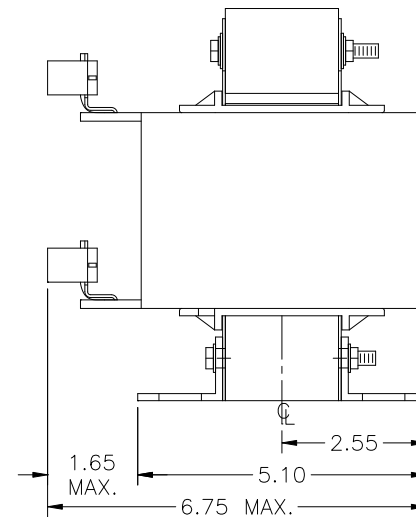
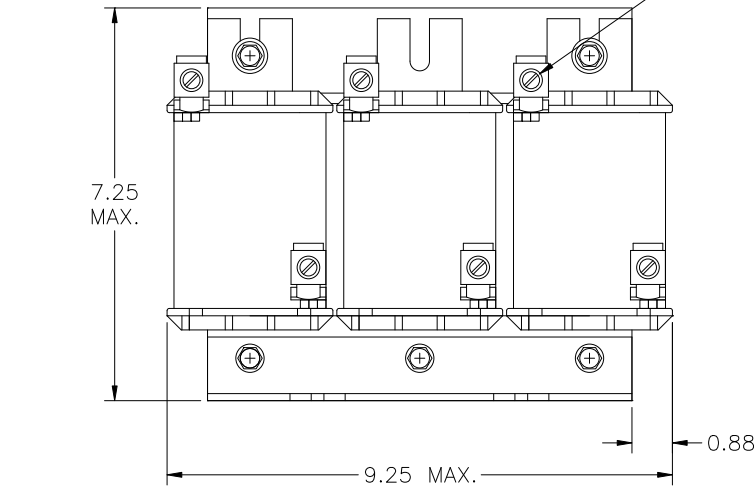
NO.	CHANGE DESCRIPTION	BY	DATE	C'K'D
-----	--------------------	----	------	-------



NOTE:
CENTER LINES REPRESENT
CENTER OF REACTOR CORE

WIRE RANGE: 6-0 AWG

CAUTION:
TERMINAL SCREW TIGHTENING TORQUE:
6-4 (45) in-lbs MAX.
2-0 (50) in-lbs MAX.



UNLESS OTHERWISE SPECIFIED, DIMENSIONS ARE IN INCHES [mm] AND TOLERANCES ARE:

DECI. FRAC.

ANGLES DRILLED HOLES

PART NAME:	3 PHASE REACTOR
DESCRIPTION:	OUTLINE DIMENSION
FINISH:	

MTE CORPORATION MENOMONEE FALLS, WISCONSIN			
RL-10002			REV. 12
SCALE	NTS	DATE	9/30/05
REF.	DR. BY	MDG	C'K'D APP'D