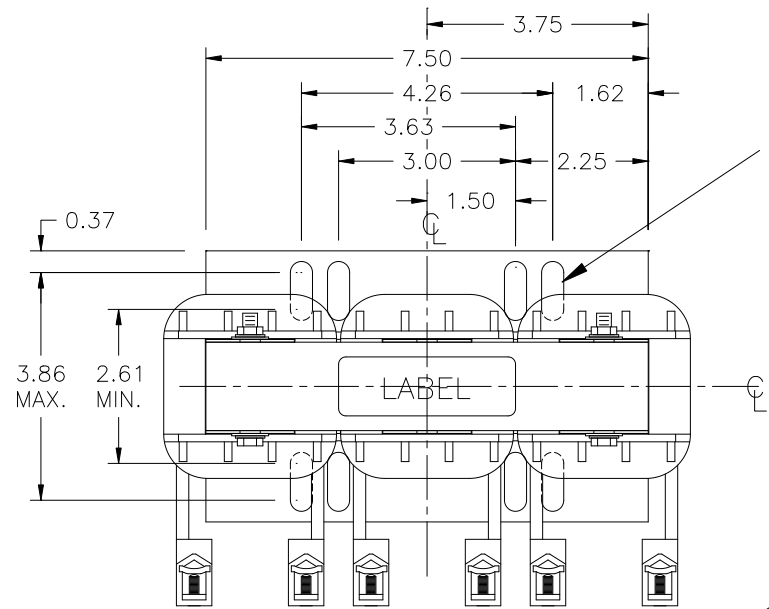


FILE: J:\ENG\PROD DOC\RL-08001

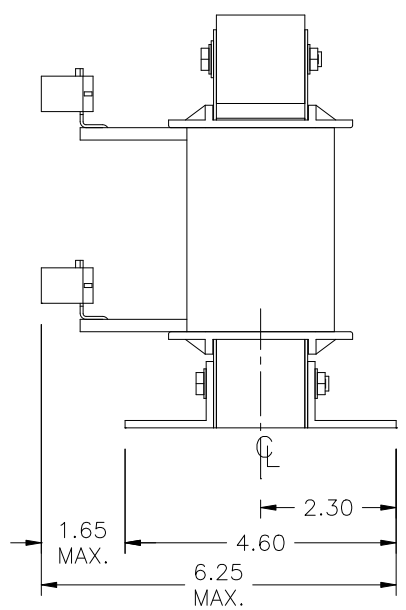
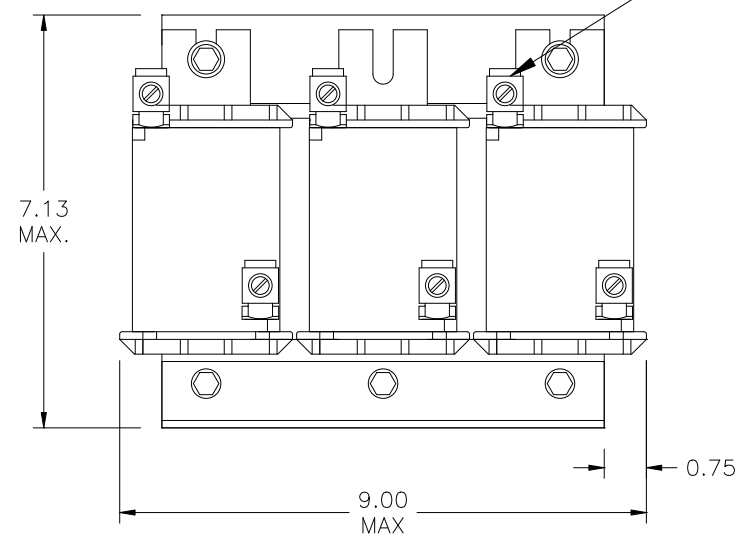
INDUCTANCE  
0.2 mH

WEIGHT  
25 LBS.

NO.	CHANGE DESCRIPTION	BY	DATE	C'K'D
-----	--------------------	----	------	-------



CAUTION: TERMINAL SCREW TIGHTENING  
TORQUE: 6-4 (45) in-lb MAX.  
2-0 (50) in-lb MAX.



NOTE:  
CENTER LINE REPRESENTS  
CENTER OF REACTOR CORE

UNLESS OTHERWISE SPECIFIED, DIMENSIONS ARE IN INCHES [mm] AND TOLERANCES ARE:

DECI.	FRAC.
ANGLES	DRILLED HOLES

PART NAME: 3-PHASE REACTOR  
DESCRIPTION: OUTLINE DIMENSION  
FINISH:

MTE CORPORATION  
MENOMONEE FALLS, WISCONSIN

RL-08001			REV. 16
SCALE NTS	DATE 09/08/05	C'K'D	
REF.	DR. BY KFL	APP'D	