

FILE: J:\CUSTDWG\CATRL\CD-04503

INDUCTANCE

1.2 mH

WEIGHT

34

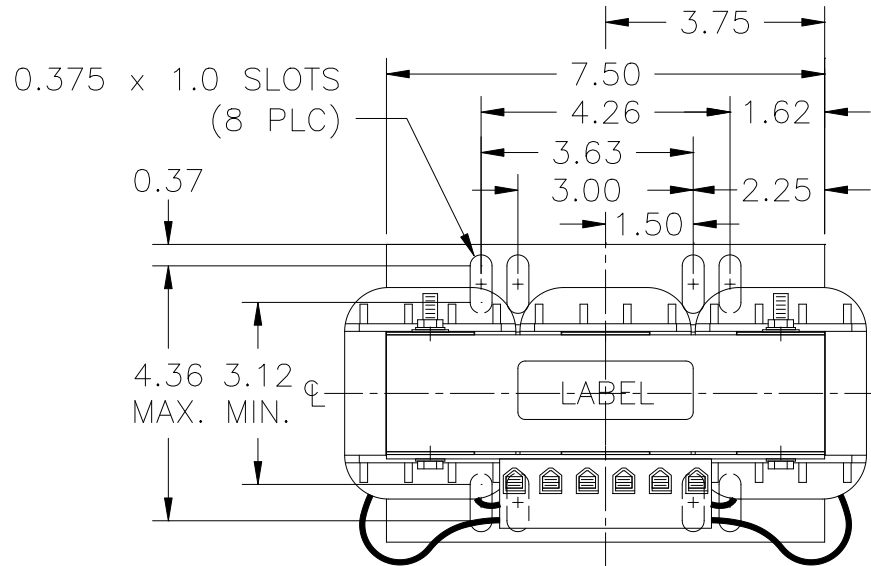
NO.

CHANGE DESCRIPTION

BY

DATE

C'K'D

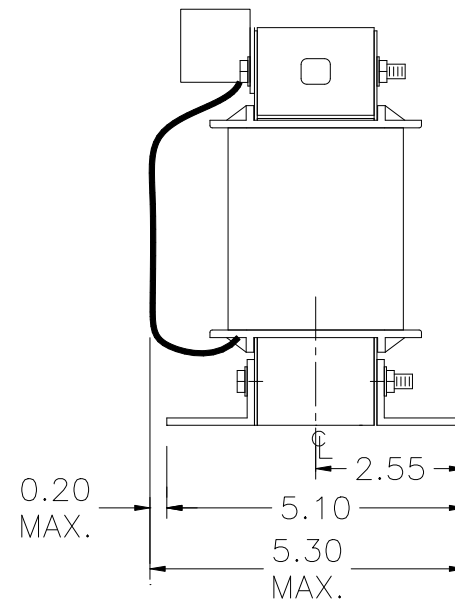
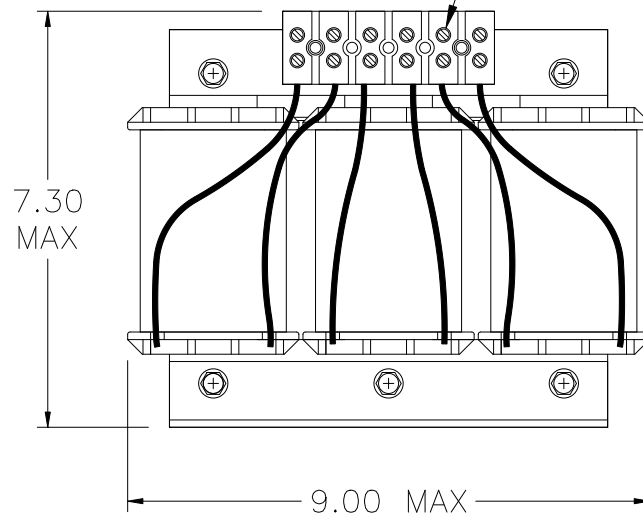


WIRE RANGE: 18-4 AWG

NOTE:

CENTER LINE REPRESENTS CENTER OF REACTOR CORE

CAUTION-TERMINAL SCREW TIGHTENING TORQUE: 16 in-lb MAX.



UNLESS OTHERWISE SPECIFIED, DIMENSIONS ARE IN INCHES [mm] AND TOLERANCES ARE:

DECI. FRAC.

ANGLES DRILLED HOLES

PART NAME: 3-PHASE REACTOR

DESCRIPTION: OUTLINE DIMENSION

FINISH:

MTE CORPORATION
MENOMONEE FALLS, WISCONSIN

RL-04503

REV.
11

| | | | | | |
|-------|-----|--------|----------|-------|----|
| SCALE | NTS | DATE | 04/06/04 | C'K'D | BS |
| REF. | | DR. BY | BGS | APP'D | BS |