

FILE: J:\CUSTDWG\CATRL\CD-03503

INDUCTANCE

1.2 mH

WEIGHT

26

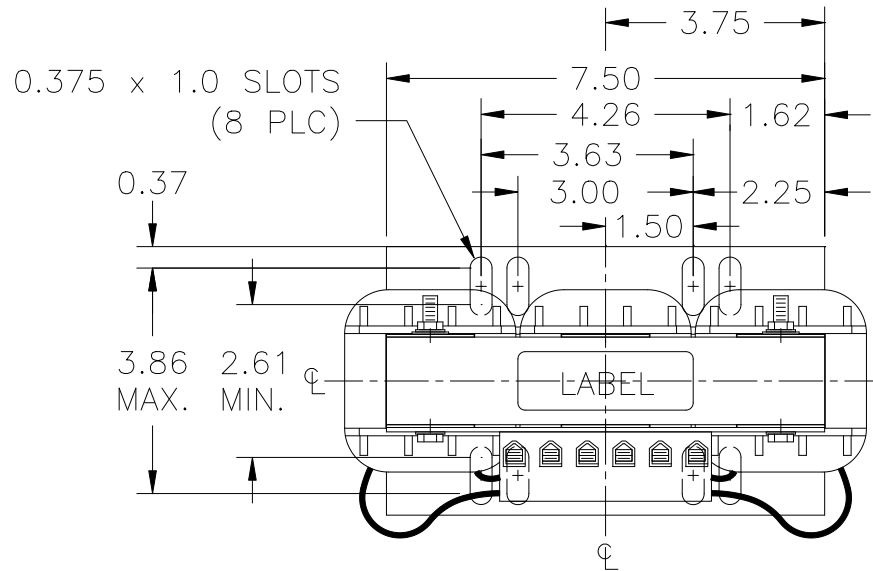
NO.

CHANGE DESCRIPTION

BY

DATE

C'K'D

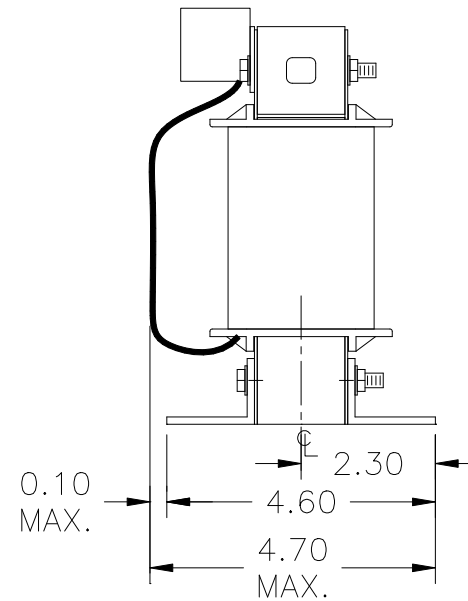
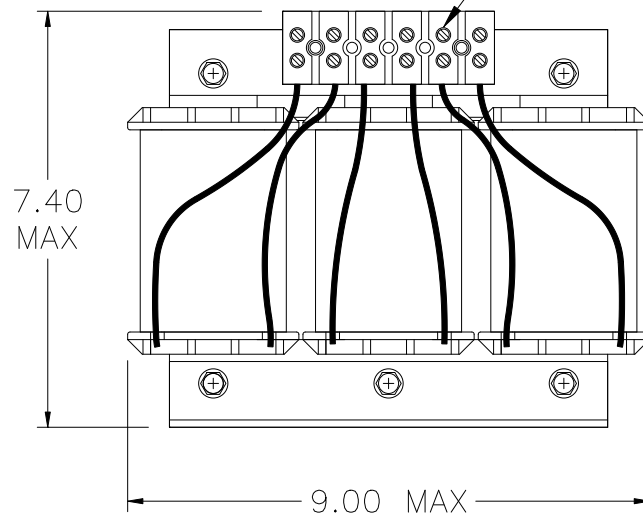


WIRE RANGE: 18-4 AWG

NOTE:

CENTER LINE REPRESENTS CENTER OF REACTOR CORE

CAUTION-TERMINAL SCREW TIGHTENING TORQUE: 16 in-lb MAX.



UNLESS OTHERWISE SPECIFIED, DIMENSIONS ARE IN INCHES [mm] AND TOLERANCES ARE:

DECI.                      FRAC.

ANGLES                      DRILLED HOLES

PART NAME: 3-PHASE REACTOR

DESCRIPTION: OUTLINE DIMENSION

FINISH:

MTE CORPORATION  
MENOMONEE FALLS, WISCONSIN

RL-03503

REV.  
18

SCALE NTS

DATE 04/07/04

C'K'D BGS

REF.

DR. BY BGS

APP'D BGS