

FILE: F:\CUDTDWG\CATRL\CD-03501

INDUCTANCE

0.4 mH

LOSSES

49 Watts

WEIGHT

14 Lbs

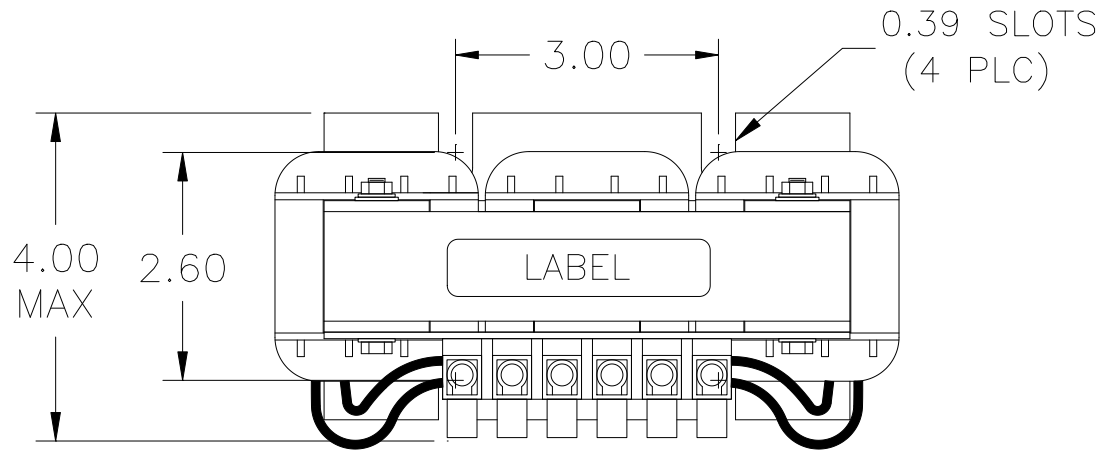
NO.

CHANGE DESCRIPTION

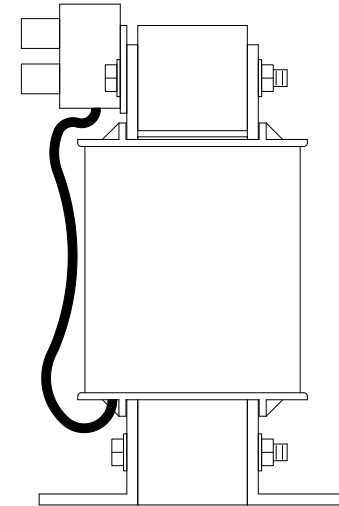
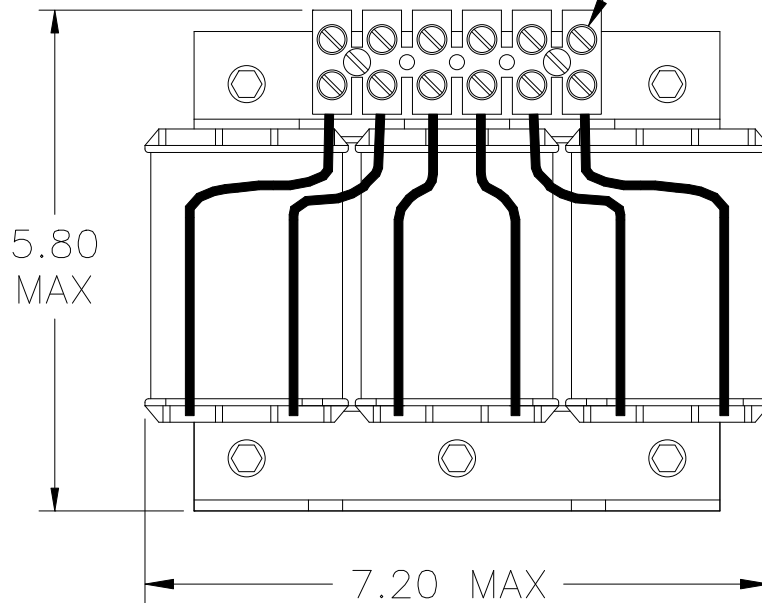
BY

DATE

C'K'D



CAUTION-TERMINAL SCREW TIGHTENING TORQUE: 16 in-lb MAX.



UNLESS OTHERWISE SPECIFIED, DIMENSIONS ARE IN INCHES [mm] AND TOLERANCES ARE:

DECI.

FRAC.

ANGLES

DRILLED HOLES

PART NAME:

3-PHASE REACTOR

DESCRIPTION:

OUTLINE DIMENSION

FINISH:

MTE CORPORATION
MENOMONEE FALLS, WISCONSIN

RL-03501

REV.
09

SCALE NTS

DATE 06/06/97

C'K'D

REF.

DR. BY PB JR.

APP'D