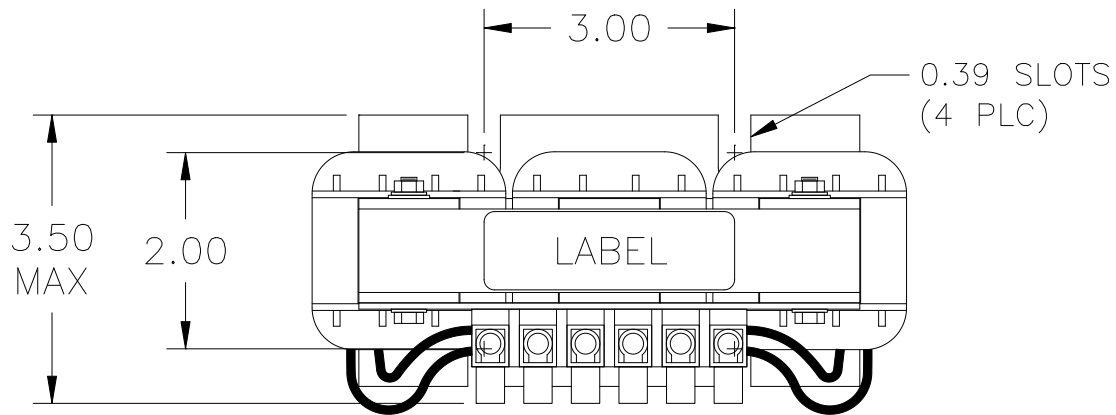


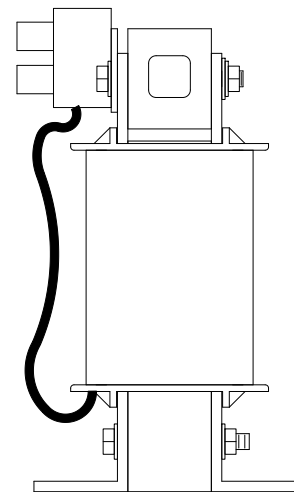
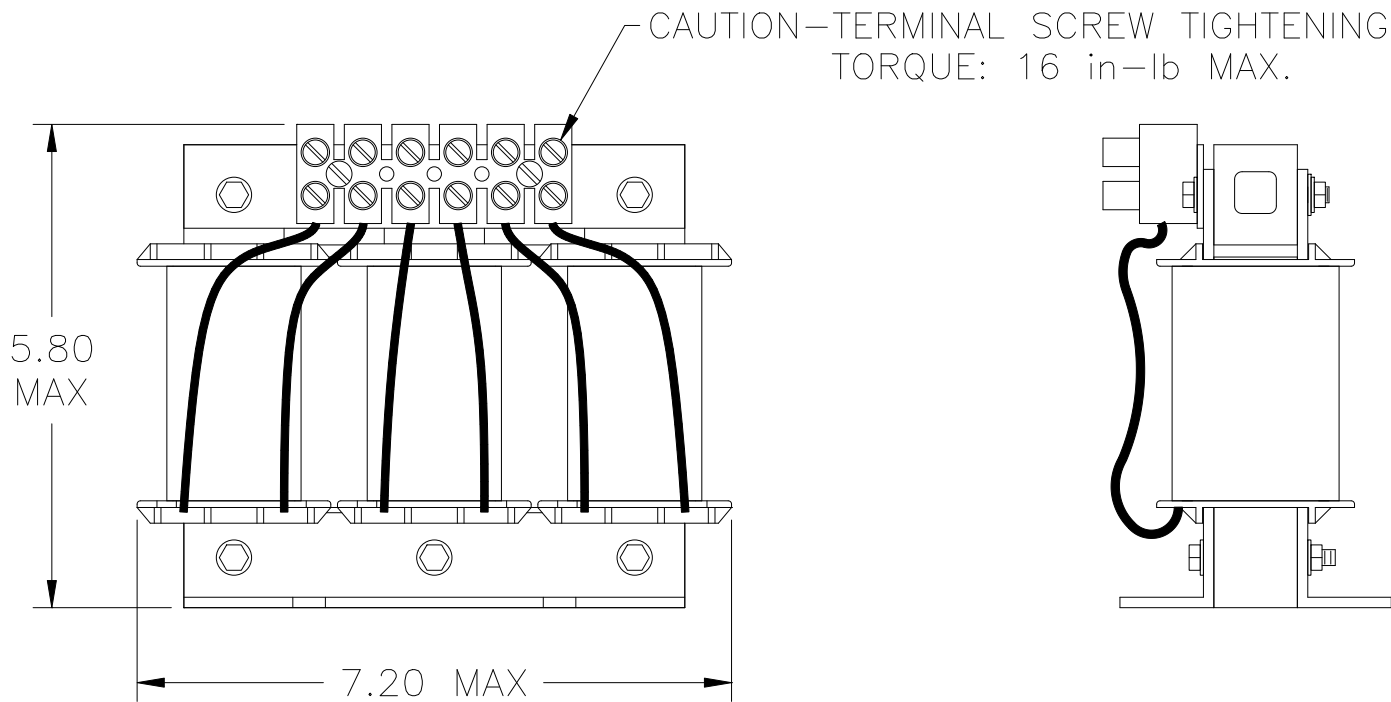
FILE: J:\CUSTDWG\CATRL\CD-02502

INDUCTANCE	LOSSES	WEIGHT
1.2 mH	52 Watts	14 Lbs

NO.	CHANGE DESCRIPTION	BY	DATE	C'K'D
-----	--------------------	----	------	-------



WIRE RANGE: 22-5 AWG



UNLESS OTHERWISE SPECIFIED, DIMENSIONS ARE IN INCHES [mm] AND TOLERANCES ARE:

DECI. FRAC.

ANGLES DRILLED HOLES

PART NAME:	3-PHASE REACTOR
DESCRIPTION:	OUTLINE DIMENSION
FINISH:	

MTE CORPORATION
MENOMONEE FALLS, WISCONSIN

RL-02502

REV.
11

SCALE	NTS	DATE	09/28/95	C'K'D
REF.		DR. BY	SJW	APP'D