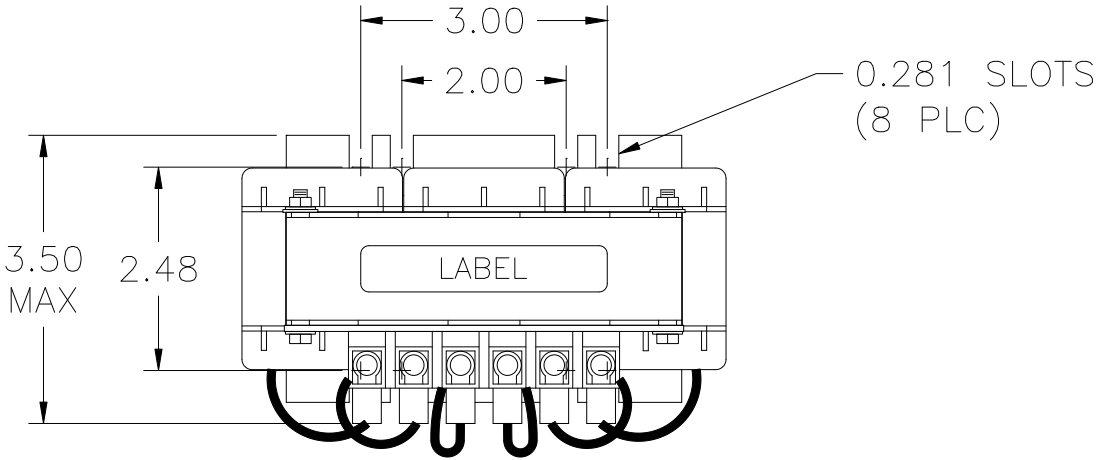


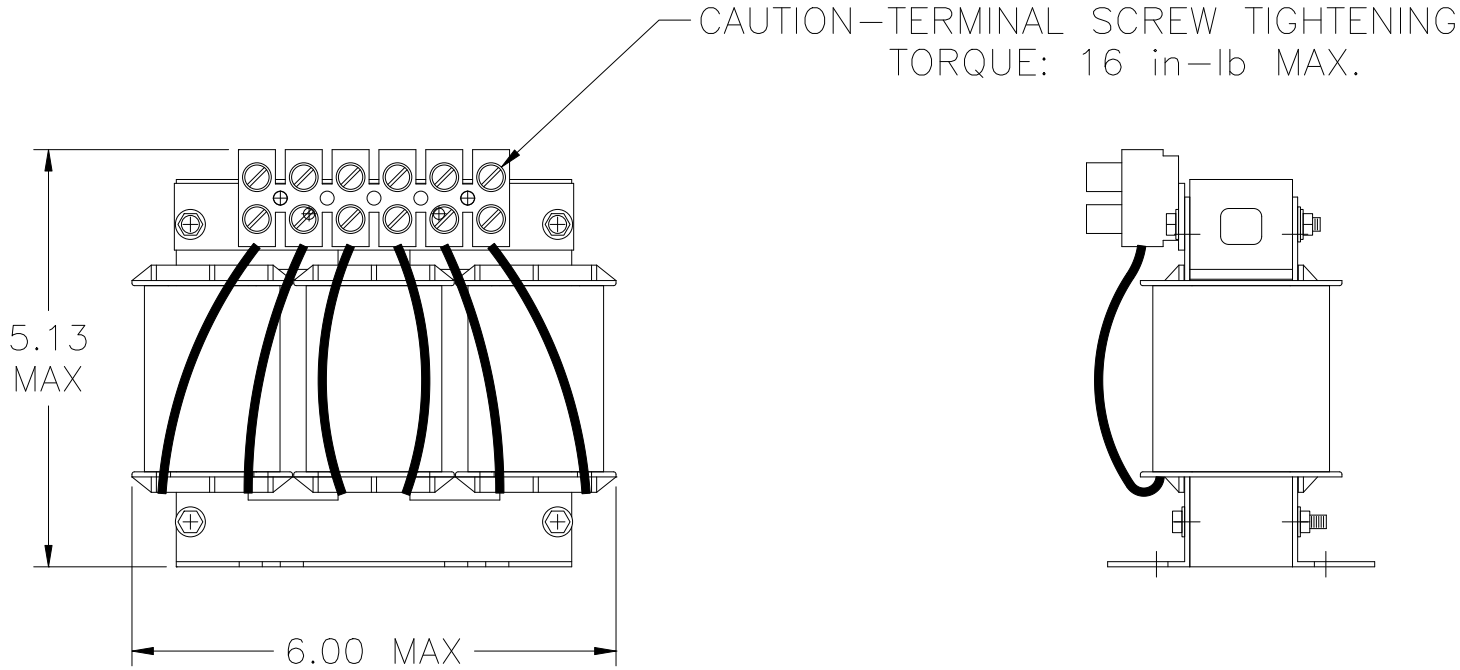
FILE: J:\CUSTDWG\CATRL\CD-01802

INDUCTANCE	LOSSES	WEIGHT
1.5 mH	43 Watts	12 Lbs

NO.	CHANGE DESCRIPTION	BY	DATE	C'K'D
-----	--------------------	----	------	-------



WIRE RANGE: 22-5 AWG



UNLESS OTHERWISE SPECIFIED, DIMENSIONS ARE IN INCHES [mm] AND TOLERANCES ARE:

DECI.	FRAC.
ANGLES	DRILLED HOLES

PART NAME:	3-PHASE REACTOR
DESCRIPTION:	OUTLINE DIMENSION
FINISH:	SPSDOC EF1FIN1 & SPF003

MTE CORPORATION MENOMONEE FALLS, WISCONSIN			
RL-01802			REV. 12
SCALE	NTS	DATE	02/18/94
REF.	DR. BY	RD	APP'D