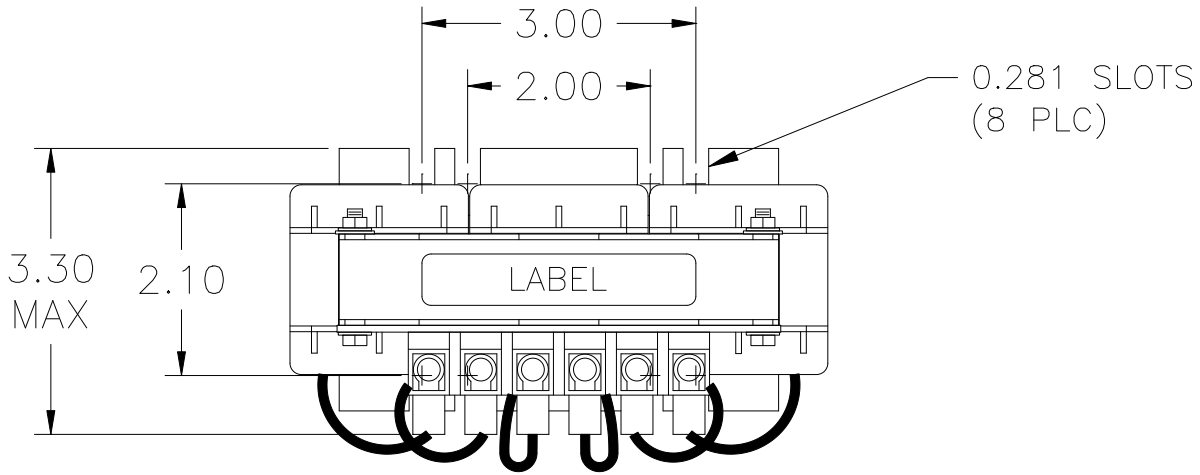


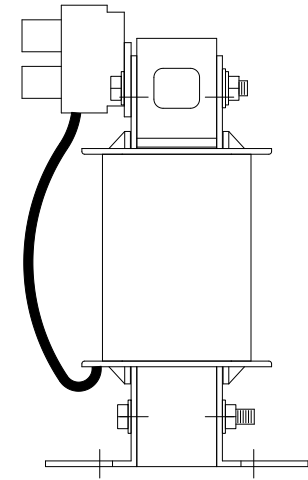
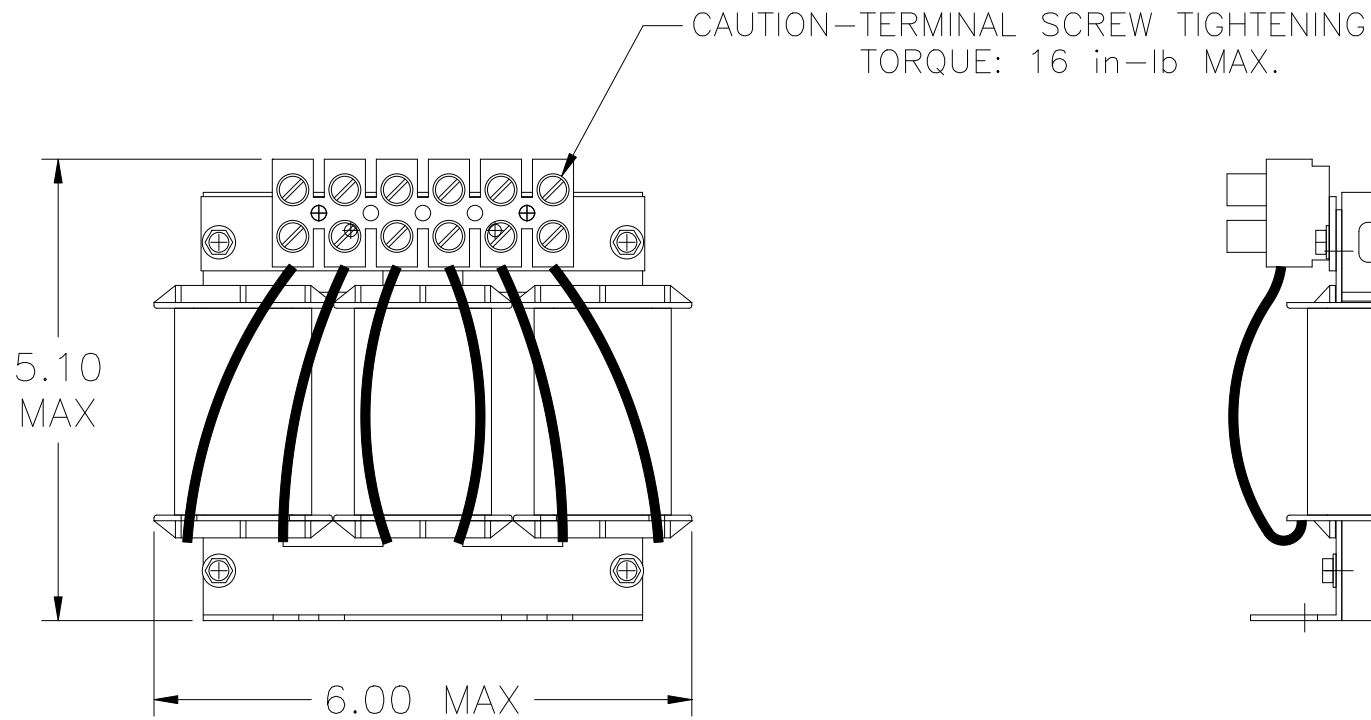
FILE: J:\CUSTDWG\CATRL\CD-01202

INDUCTANCE	LOSSES	WEIGHT
2.5 mH	31 Watts	10 Lbs

NO.	CHANGE DESCRIPTION	BY	DATE	C'K'D
-----	--------------------	----	------	-------



WIRE RANGE: 22-5 AWG



UNLESS OTHERWISE SPECIFIED, DIMENSIONS ARE IN INCHES [mm] AND TOLERANCES ARE:

DECI. FRAC.

ANGLES DRILLED HOLES

PART NAME:	3-PHASE REACTOR
DESCRIPTION:	OUTLINE DIMENSION
FINISH:	

MTE CORPORATION MENOMONEE FALLS, WISCONSIN			
RL-01202			REV. 11
SCALE	NTS	DATE	07/18/96
REF.	DR. BY	CEL	APP'D