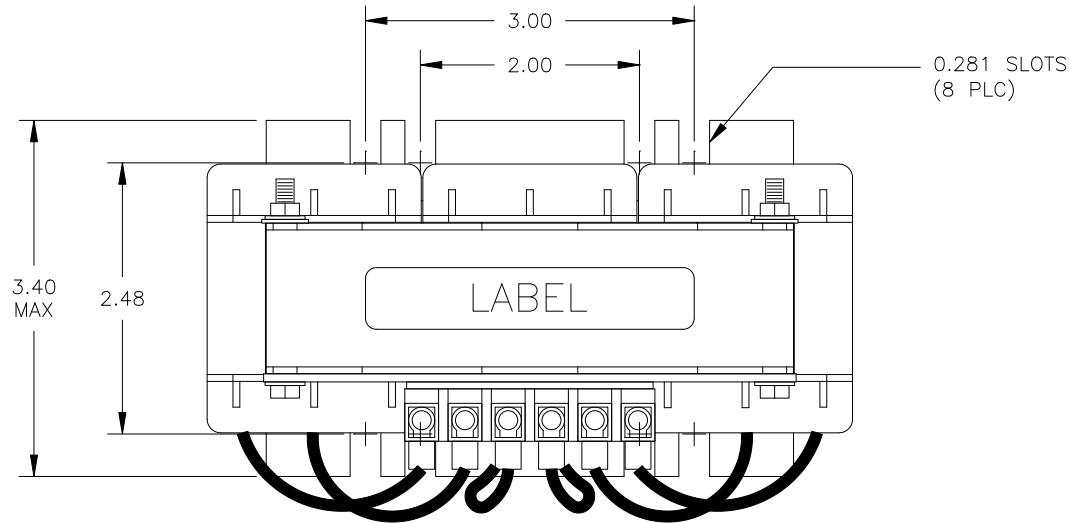


FILE: J:\CUSTDWG\CATRL\CD-00804

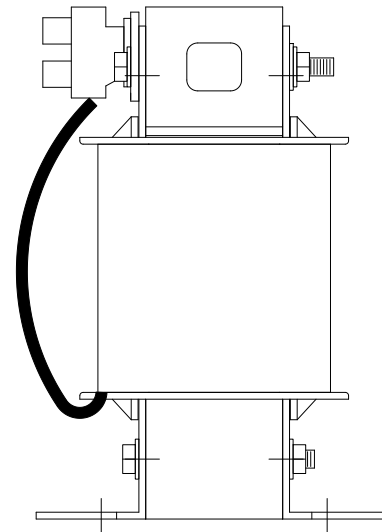
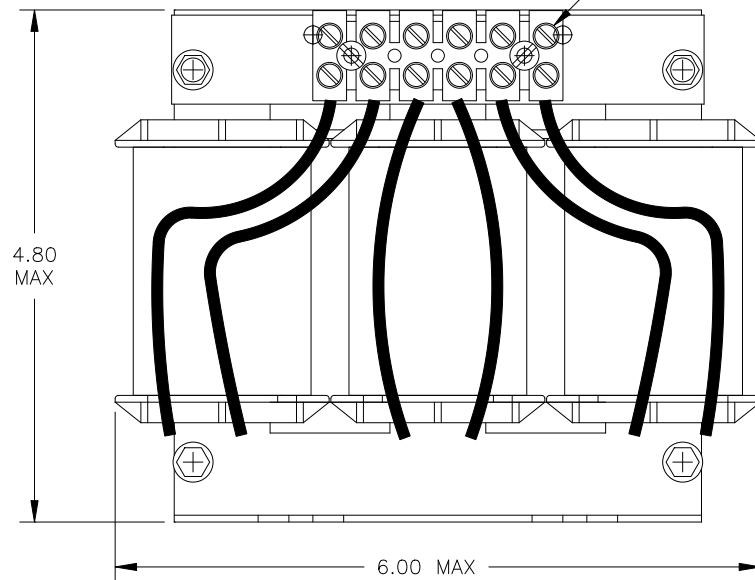
INDUCTANCE	LOSSES	WEIGHT
7.5 mH	28 Watts	13 Lbs

NO.	CHANGE DESCRIPTION	BY	DATE	C'K'D
-----	--------------------	----	------	-------



WIRE RANGE: 22-14 AWG

CAUTION: TERMINAL SCREW TIGHTENING
TORQUE: 4.5 in-lb MAX.



UNLESS OTHERWISE SPECIFIED, DIMENSIONS ARE IN INCHES [mm] AND TOLERANCES ARE:

DECI. FRAC.

ANGLES DRILLED HOLES

PART NAME:	3-PHASE REACTOR
DESCRIPTION:	OUTLINE DIMENSION
FINISH:	

MTE CORPORATION
MENOMONEE FALLS, WISCONSIN

RL-00804			REV. 10
SCALE	NTS	DATE	01/12/93
REF.	DR. BY	RD	APP'D