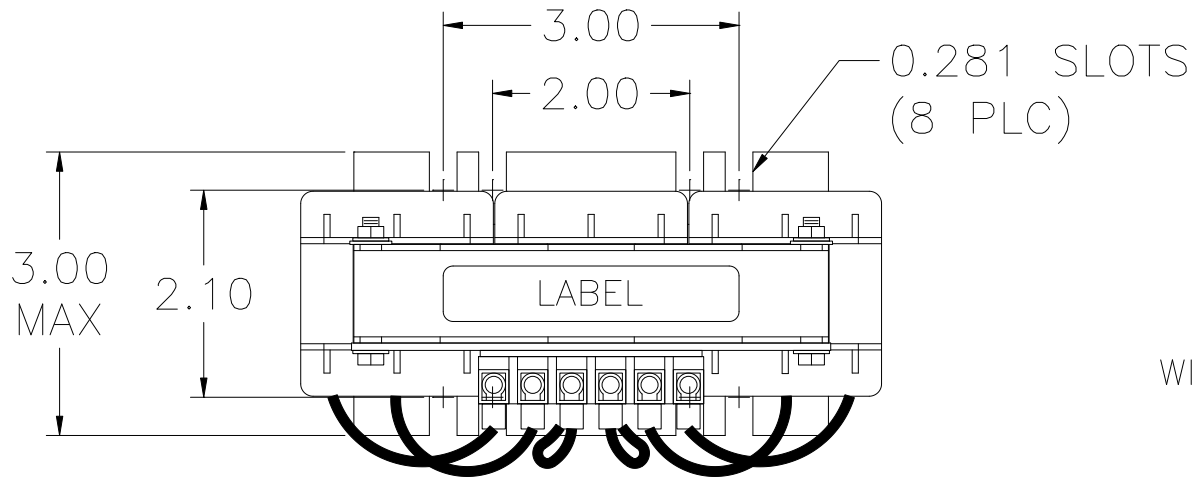


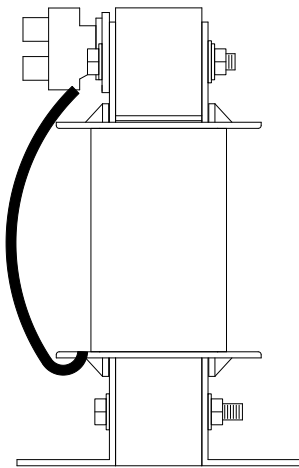
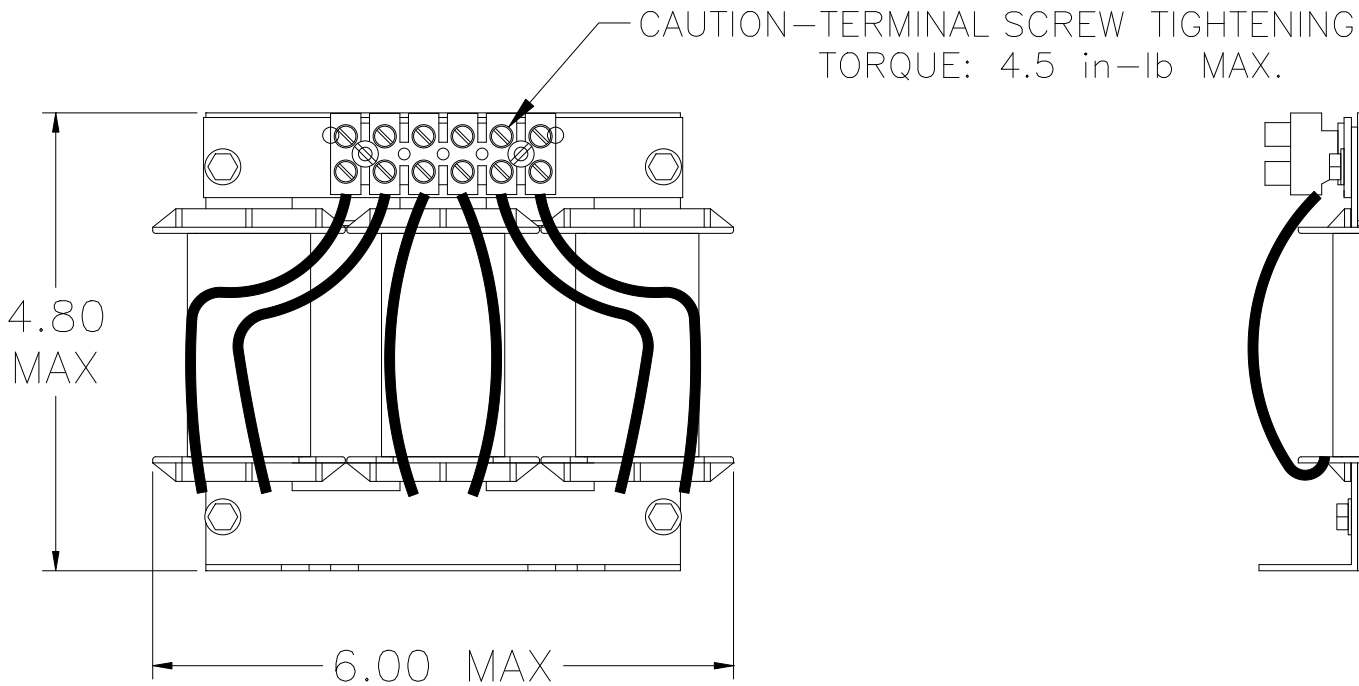
FILE: J:\CUSTDWG\CATRL\CD-00802

INDUCTANCE	LOSSES	WEIGHT
3 mH	29 Watts	8 Lbs

NO.	CHANGE DESCRIPTION	BY	DATE	C'K'D
-----	--------------------	----	------	-------



WIRE RANGE: 22-14 AWG



UNLESS OTHERWISE SPECIFIED, DIMENSIONS ARE IN INCHES [mm] AND TOLERANCES ARE:

DECI. FRAC.

ANGLES DRILLED HOLES

PART NAME:	3-PHASE REACTOR
DESCRIPTION:	OUTLINE DIMENSION
FINISH:	

MTE CORPORATION MENOMONEE FALLS, WISCONSIN			
RL-00802			REV. 14
SCALE	NTS	DATE	02/05/93
REF.	DR. BY	RD	APP'D