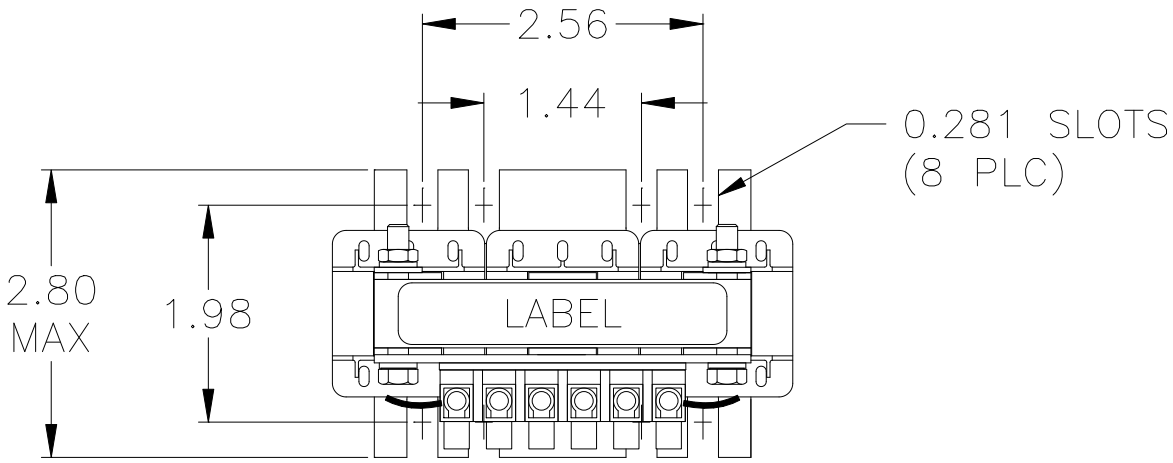


FILE: J:\CUSTDWG\CATRL\CD-00401

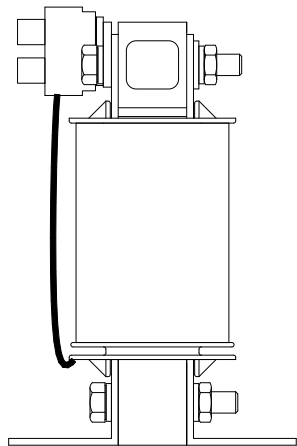
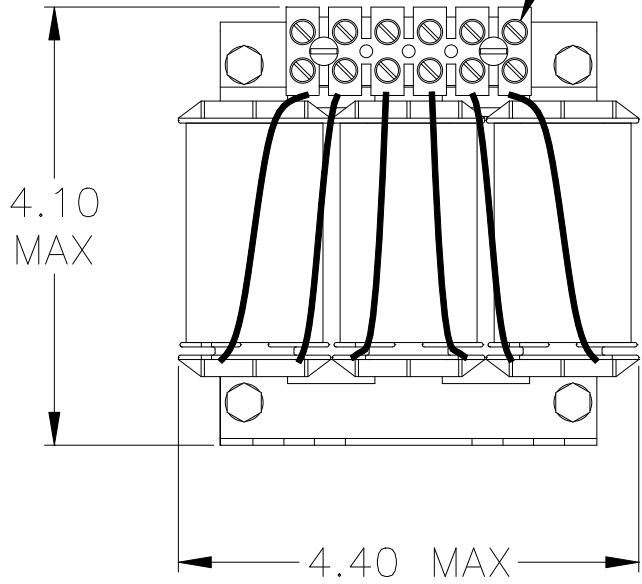
INDUCTANCE	LOSSES	WEIGHT
3 mH	14.5 Watts	4 Lbs

NO.	CHANGE DESCRIPTION	BY	DATE	C'K'D
-----	--------------------	----	------	-------



WIRE RANGE: 22-14 AWG

CAUTION-TERMINAL SCREW TIGHTENING TORQUE: 4.5 in-lb. MAX.



UNLESS OTHERWISE SPECIFIED, DIMENSIONS ARE IN INCHES [mm] AND TOLERANCES ARE:

DECI.	FRAC.
ANGLES	DRILLED HOLES

PART NAME:	3-PHASE REACTOR
DESCRIPTION:	OUTLINE DIMENSION
FINISH:	

MTE CORPORATION MENOMONEE FALLS, WISCONSIN			
RL-00401			REV. 12
SCALE	NTS	DATE	11/7/97
REF.	DR. BY	JJB	C'K'D APP'D