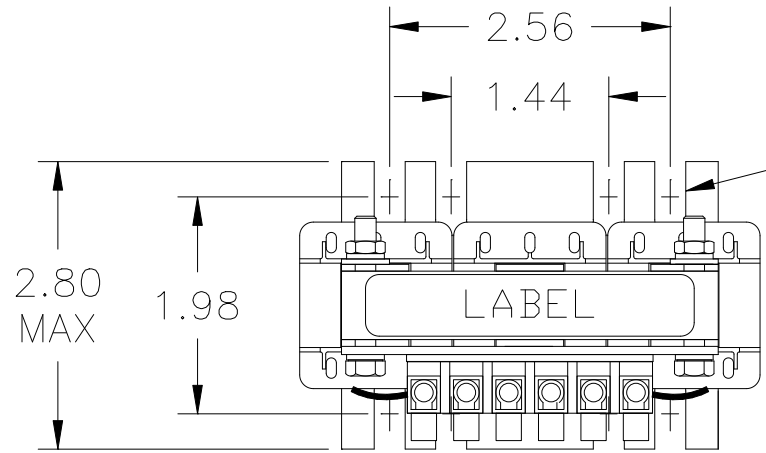


FILE: J:\CUSTDWG\CATRL\CD-00201

INDUCTANCE	LOSSES	WEIGHT
12 mH	7.5 Watts	4 Lbs

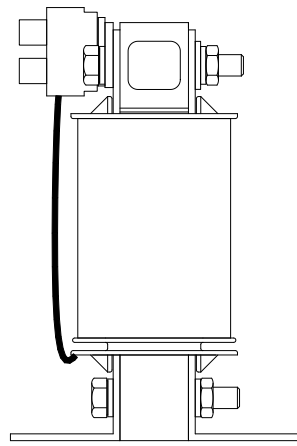
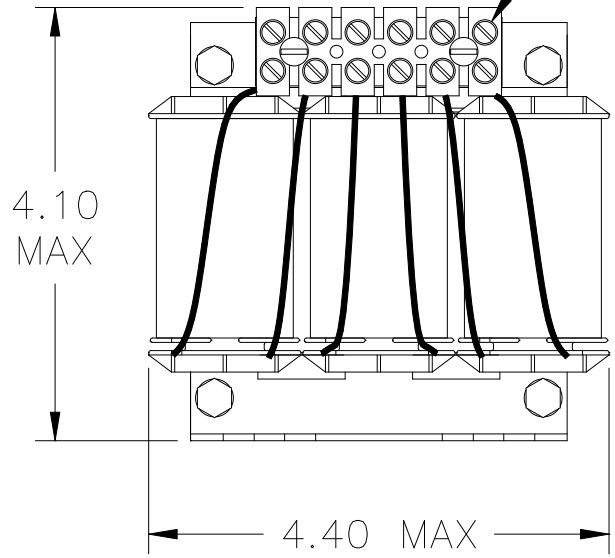
NO.	CHANGE DESCRIPTION	BY	DATE	C'K'D
-----	--------------------	----	------	-------



0.281 SLOTS
(8 PLC)

WIRE RANGE: 22-10 AWG

CAUTION-TERMINAL SCREW TIGHTENING
TORQUE: 4.5 in-lb MAX.



UNLESS OTHERWISE SPECIFIED, DIMENSIONS ARE IN INCHES [mm] AND TOLERANCES ARE:

DECI.	FRAC.
ANGLES	DRILLED HOLES

PART NAME:	3-PHASE REACTOR
DESCRIPTION:	OUTLINE DIMENSION
FINISH:	

MTE CORPORATION MENOMONEE FALLS, WISCONSIN			
RL-00201			REV. 11
SCALE	NTS	DATE	03/06/90
REF.	DR. BY	SJW	C'K'D APP'D