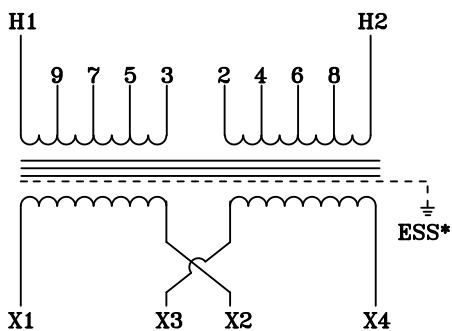
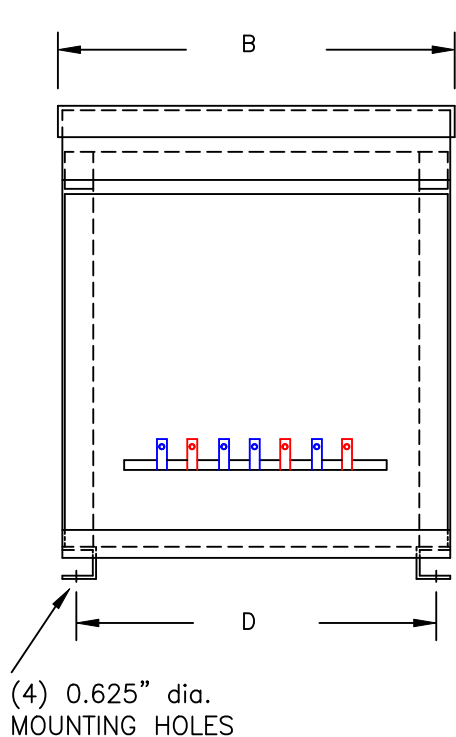


NOTES:

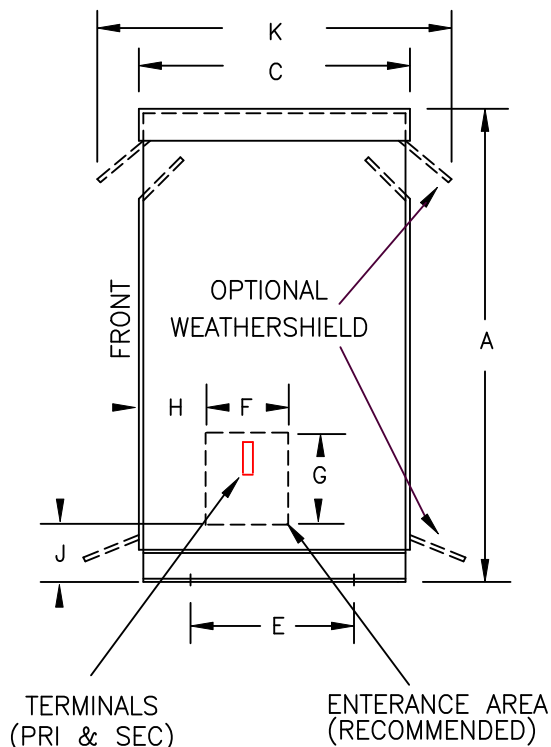
1. ALL UNITS ARE cUL LISTED AND DESIGNED ACCORDANCE WITH INDUSTRY STANDARDS.
2. TRANSFORMERS ARE DRY-TYPE, CLASS AA, VENTILATED NEMA 2 ENCLOSED FOR INDOOR USE.
3. TRANSFORMERS ARE FLOOR MOUNTED.
4. AVAILABLE ACCESSORIES FOR THIS UNIT:
A) OUTDOOR WEATHERSHIELD KIT
B) WALL MOUNTING BRACKETS
5. TRANSFORMERS ARE CONSTRUCTED BASED UPON A 40°C AMBIENT ENVIRONMENT.
6. MAINTAIN 1" CLEARANCE FROM ALL LIVE PARTS.
7. PAINT COLOR IS ANSI# 61.



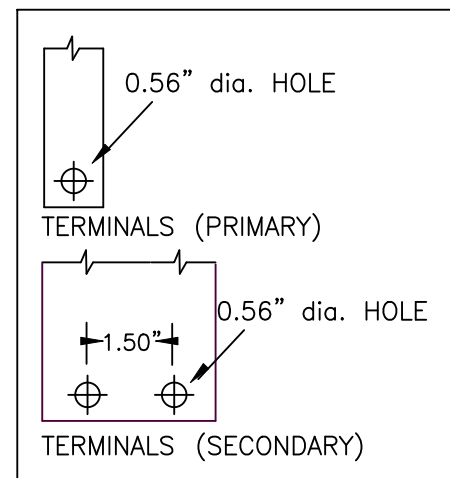
TYPICAL WIRING DIAGRAM



FRONT VIEW



SIDE VIEW



TERMINAL DETAILS

APPROXIMATE DIMENSIONS (INCHES)

| KVA | A | B | C | D | E | F | G | H | J | K | L | BOX | lbs. | WEATHER SHIELD | TERMINAL TYPE |
|-------|-------|-------|-------|-------|-------|-------|-------|------|------|-------|-------|---------|------|----------------|---------------|
| 167.0 | 60.00 | 33.38 | 26.00 | 31.50 | 22.75 | 10.00 | 10.00 | 8.00 | 6.75 | 31.50 | ----- | PT-167K | 895 | WS-9 | BUSBAR |

* ELECTROSTATIC SHIELD GROUNDED TO TRANSFORMER CASE AT FACTORY (IF APPLICABLE)

DRAWINGS
 APPROVAL
 RECORD
 OTHER

| | | | |
|------------------------|--|-----------|--|
| PRIMARY VOLTAGE | 208 | CUST. | XXXXXXXXXX |
| SECONDARY VOLTAGE | 120 x 240 | JOB | |
| TEMPERATURE RISE IN °C | 150 | CATALOG | |
| WINDINGS & TERMINALS | <input checked="" type="checkbox"/> ALUMINUM <input type="checkbox"/> COPPER | NOTE | XXXXXXX |
| FREQUENCY IN HERTZ | 60 | BY | |
| PRIMARY TAPS | 198, 203, 213, 218 | ENG. LOG. | |
| | | DATE | |
| | | MFG. LOG. | |
| | | DWG. NO. | 1-PHASE, 600 VOLT CLASS ISOLATION DRY TYPE TRANSFORMER |
| | | REV | |
| | | MFG. LOG. | |
| | | DWG. FILE | PTN877-167K-EE |
| | | DATE: | |