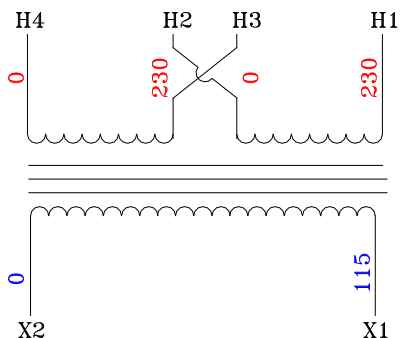
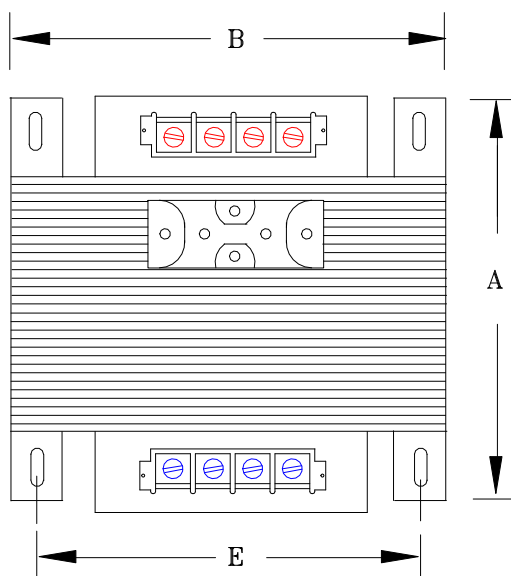


**NOTES:**

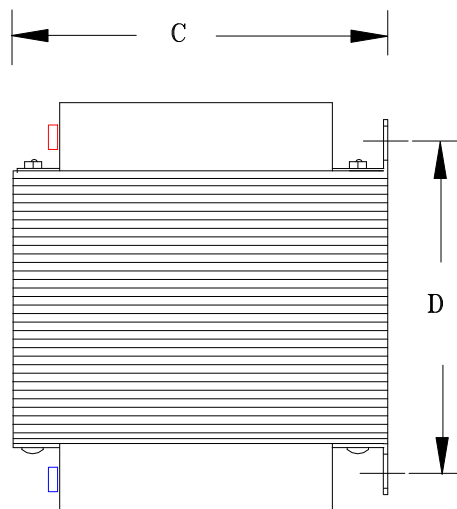
1. ALL UNITS ARE DESIGNED IN ACCORDANCE WITH INDUSTRY STANDARDS.
2. TRANSFORMERS ARE DRY-TYPE, CLASS AA, VENTILATED, OPEN-STYLE ASSEMBLY FOR INDOOR/CONTROL PANEL USE.
3. TRANSFORMER ARE BASE MOUNTED.
4. TRANSFORMERS ARE CONSTRUCTED BASED UPON A 40°C AMBIENT ENVIRONMENT.
5. MAINTAIN 1" CLEARANCE FROM ALL LIVE PARTS.



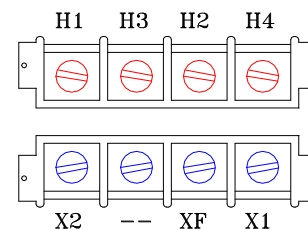
TYPICAL WIRING DIAGRAM



FRONT VIEW



SIDE VIEW



TERMINAL VIEW

**APPROXIMATE DIMENSIONS ( INCHES )**

| KVA   | A    | B    | C    | D    | E    | PRIMARY FUSE BLOCK * | PRIMARY FUSE BLOCK COVER | PRIMARY TERMINAL COVER | SECONDARY TERMINAL COVER | lbs. |
|-------|------|------|------|------|------|----------------------|--------------------------|------------------------|--------------------------|------|
| 0.350 | 4.75 | 4.50 | 4.00 | 3.75 | 3.75 | TPTC-1006-1          | TPTC-1006-2              | TPTC-1011-A            | TPTC-1011-B              | 12   |

\* IF YOU PURCHASE THE PRIMARY FUSE BLOCK, IT WILL ADD 1.50" TO THE "C" DIMENSION  
 \*\* IF YOU UTILIZE THE SECONDARY FUSE CLIPS, THEY WILL ADD 0.50" TO THE "C" DIMENSION

DRAWINGS  
 APPROVAL  
 RECORD  
 OTHER

|                        |  |         |           |   |  |
|------------------------|--|---------|-----------|---|--|
| PRIMARY VOLTAGE        | 230 x 460  | CUST.   | XXXXXXXX  |   |  |
| SECONDARY VOLTAGE      | 115  | JOB     |           |   |  |
| TEMPERATURE RISE IN °C | 80   | CATALOG |           |   |  |
| WINDINGS & TERMINALS   | <input type="checkbox"/> ALUMINUM <input checked="" type="checkbox"/> COPPER | NOTE    | XXXXXXXX  |   |  |
| FREQUENCY HERTZ        | 50/60  | BY      | ENG. LOG. | TITLE<br>1-PHASE, 600 VOLT CLASS<br>CONTROL<br>DRY TYPE TRANSFORMER |  |
| PRIMARY TAPS           | NONE   | DATE    |           |   |  |
|                        |  | REV     | MFG. LOG. | DWG. NO.<br>B350BTZ13JKF  |  |
|                        |  | DATE:   | DWG. FILE |   |  |