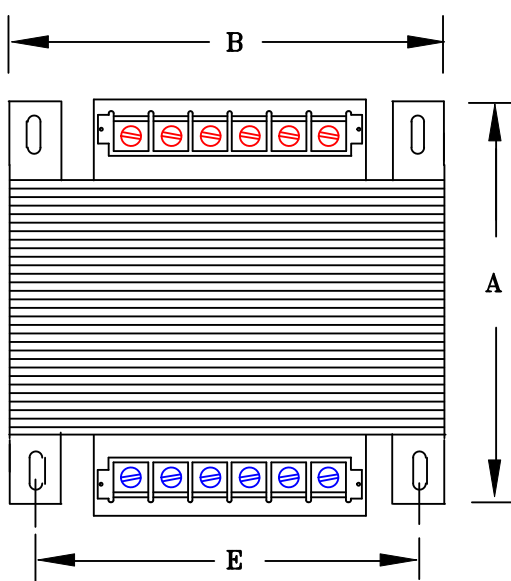


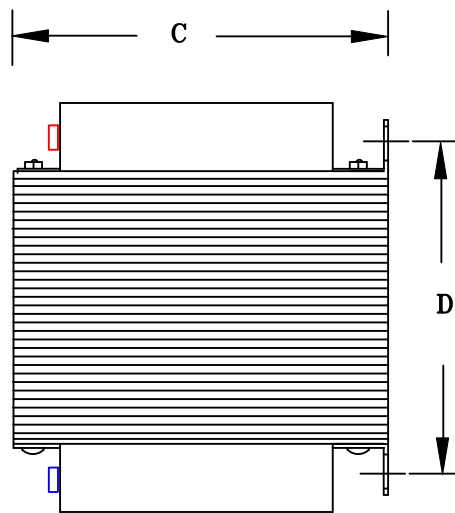
TYPICAL WIRING DIAGRAM

**NOTES:**

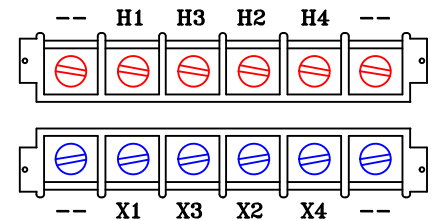
1. ALL UNITS ARE cUL LISTED & DESIGNED ACCORDANCE WITH INDUSTRY STANDARDS.
2. TRANSFORMERS ARE DRY-TYPE, CLASS AA, VENTILATED, OPEN-STYLE ASSEMBLY FOR INDOOR/CONTROL PANEL USE.
3. TRANSFORMER ARE BASE MOUNTED.
4. TRANSFORMERS ARE CONSTRUCTED BASED UPON A 40°C AMBIENT ENVIRONMENT.
5. MAINTAIN 1" CLEARANCE FROM ALL LIVE PARTS.



FRONT VIEW



SIDE VIEW



TERMINAL VIEW

**APPROXIMATE DIMENSIONS ( INCHES )**

| KVA | A    | B    | C    | D    | E    | PRIMARY FUSE BLOCK * | PRIMARY FUSE BLOCK COVER | PRIMARY TERMINAL COVER | SECONDARY TERMINAL COVER | lbs. |
|-----|------|------|------|------|------|----------------------|--------------------------|------------------------|--------------------------|------|
| 2.0 | 8.00 | 6.75 | 5.75 | 5.12 | 6.12 | TPTC-1006-1          | TPTC-1006-2              | TPTC-1002-A            | TPTC-1002-A              | 46   |

DRAWINGS  
 APPROVAL  
 RECORD  
 OTHER

|                        |  |           |           |              |  |
|------------------------|--|-----------|-----------|--------------|--|
| PRIMARY VOLTAGE        | 240 x 480  | CUST.     | XXXXXXXX  |              |  |
| SECONDARY VOLTAGE      | 120 x 240  | JOB       |           |              |  |
| TEMPERATURE RISE IN °C | 115  | CATALOG   |           |              |  |
| WINDINGS & TERMINALS   | <input type="checkbox"/> ALUMINUM <input checked="" type="checkbox"/> COPPER | NOTE      | XXXXXXXX  |              |  |
| FREQUENCY HERTZ        | 50/60  | BY        | ENG. LOG. | TITLE        | 1-PHASE, 600 VOLT CLASS<br>CONTROL<br>DRY TYPE TRANSFORMER |
| PRIMARY TAPS           | NONE   | DATE      |           |              |  |
|                        | REV  | MFG. LOG. | DWG. NO.  | B2K0-0502-3H |  |
|                        | DATE:  | DWG. FILE |           |              |  |