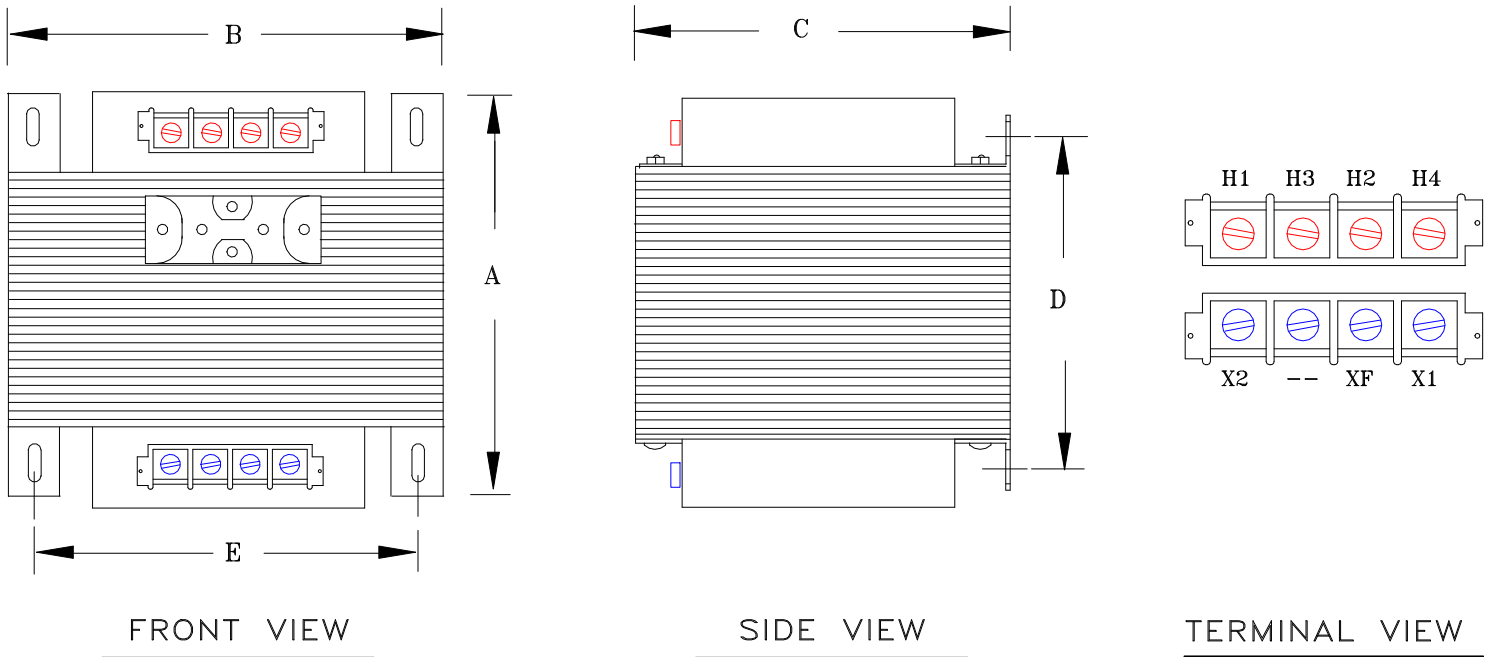


TYPICAL WIRING DIAGRAM

**NOTES:**

1. ALL UNITS ARE DESIGNED IN ACCORDANCE WITH INDUSTRY STANDARDS.
2. TRANSFORMERS ARE DRY-TYPE, CLASS AA, VENTILATED, OPEN-STYLE ASSEMBLY FOR INDOOR/CONTROL PANEL USE.
3. TRANSFORMER ARE BASE MOUNTED.
4. TRANSFORMERS ARE CONSTRUCTED BASED UPON A 40°C AMBIENT ENVIRONMENT.
5. MAINTAIN 1" CLEARANCE FROM ALL LIVE PARTS.



FRONT VIEW

SIDE VIEW

TERMINAL VIEW

**APPROXIMATE DIMENSIONS ( INCHES )**

| KVA   | A    | B    | C    | D    | E    | PRIMARY FUSE BLOCK * | PRIMARY FUSE BLOCK COVER | PRIMARY TERMINAL COVER | SECONDARY TERMINAL COVER | lbs. |
|-------|------|------|------|------|------|----------------------|--------------------------|------------------------|--------------------------|------|
| 0.250 | 4.38 | 4.50 | 4.00 | 2.82 | 3.75 | TPTC-1006-1          | TPTC-1006-2              | TPTC-1011-A            | TPTC-1011-B              | 10   |

\* IF YOU PURCHASE THE PRIMARY FUSE BLOCK, IT WILL ADD 1.50" TO THE "C" DIMENSION

\*\* IF YOU UTILIZE THE SECONDARY FUSE CLIPS, THEY WILL ADD 0.50" TO THE "C" DIMENSION

|  |
|--|
| DRAWINGS                                     |
| <input checked="" type="checkbox"/> APPROVAL |
| <input type="checkbox"/> RECORD              |
| <input type="checkbox"/> OTHER               |

|                        |  |           |           |           |  |
|------------------------|--|-----------|-----------|-----------|--|
| PRIMARY VOLTAGE        | 240 x 480  | CUST.     | XXXXXXXX  |           |  |
| SECONDARY VOLTAGE      | 24   | JOB       |           |           |  |
| TEMPERATURE RISE IN °C | 80   | CATALOG   |           |           |  |
| WINDINGS & TERMINALS   | <input type="checkbox"/> ALUMINUM <input checked="" type="checkbox"/> COPPER | NOTE      | XXXXXXXX  |           |  |
| FREQUENCY HERTZ        | 50/60  | BY        | ENG. LOG. | TITLE     | 1-PHASE, 600 VOLT CLASS<br>CONTROL<br>DRY TYPE TRANSFORMER |
| PRIMARY TAPS           | NONE   | DATE      |           |           |  |
| <b>POWERTRAN</b>       | REV  | MFG. LOG. | DWG. NO.  | DWG. FILE | B250PU7JKF   |
|                        | DATE:  |           |           |           |  |