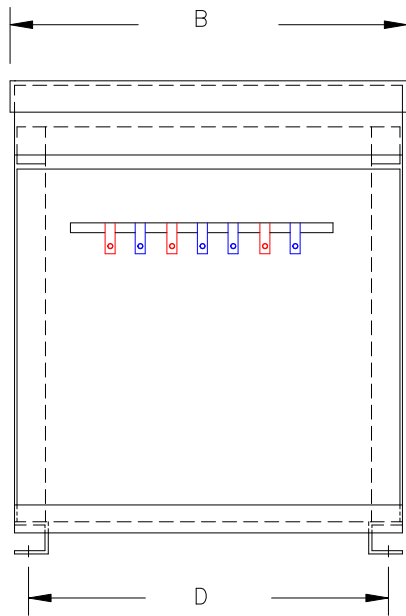


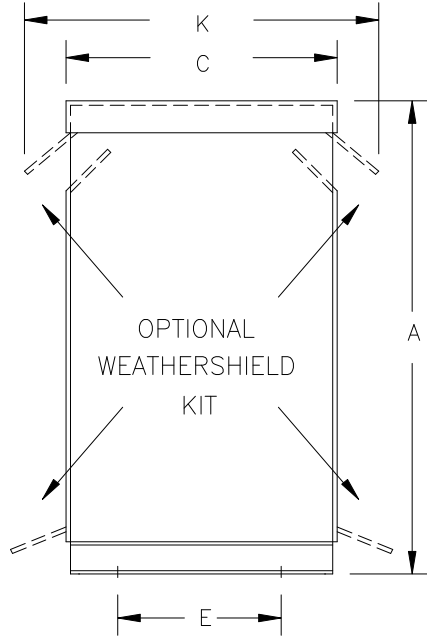
TYPICAL WIRING DIAGRAM

NOTES:

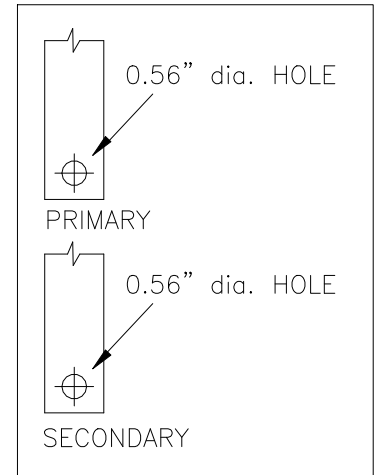
1. ALL UNITS ARE cUL LISTED AND DESIGNED ACCORDANCE WITH INDUSTRY STANDARDS.
2. TRANSFORMERS ARE DRY-TYPE, CLASS AA, VENTILATED NEMA 2 ENCLOSED FOR INDOOR USE.
3. TRANSFORMERS ARE FLOOR MOUNTED.
4. AVAILABLE ACCESSORIES FOR THIS UNIT:
A) OUTDOOR WEATHERSHIELD KIT
5. TRANSFORMERS ARE CONSTRUCTED BASED UPON A 40°C AMBIENT ENVIRONMENT.
6. MAINTAIN 1" CLEARANCE FROM ALL LIVE PARTS.
7. PAINT COLOR IS ANSI #61.



FRONT VIEW



SIDE VIEW



TERMINAL DETAILS

APPROXIMATE DIMENSIONS (INCHES)

| KVA | A | B | C | D | E | F | G | H | J | K | L | BOX | lbs. | WEATHER SHIELD | TERMINAL TYPE |
|-------|-------|-------|-------|-------|-------|------|------|------|------|-------|------|----------|------|----------------|---------------|
| 175.0 | 51.00 | 42.12 | 26.00 | 40.25 | 22.75 | ---- | ---- | ---- | ---- | 31.50 | ---- | 3PT-225K | 1270 | WS-12 | BUSBAR |

* ELECTROSTATIC SHIELD GROUNDED TO TRANSFORMER CASE AT FACTORY (IF APPLICABLE)

DRAWINGS
 APPROVAL
 RECORD
 OTHER

| | | | | | |
|------------------------|--|---------|------------|---|--|
| PRIMARY VOLTAGE | 230 DELTA | CUST. | XXXXXXXXXX | | |
| SECONDARY VOLTAGE | 575Y/332 | JOB | | | |
| TEMPERATURE RISE IN °C | 150 | CATALOG | | | |
| WINDINGS & TERMINALS | <input checked="" type="checkbox"/> ALUMINUM <input type="checkbox"/> COPPER | NOTE | XXXXXXX | | |
| FREQUENCY IN HERTZ | 60 | BY | ENG. LOG. | TITLE 3-PHASE, 600 VOLT CLASS DRIVE ISOLATION DRY TYPE TRANSFORMER | |
| PRIMARY TAPS | 218, 242 | DATE | | | |
| | | REV | MFG. LOG. | DWG. NO. 3PTN372-175K-DIT | |
| | | DATE: | DWG. FILE | | |